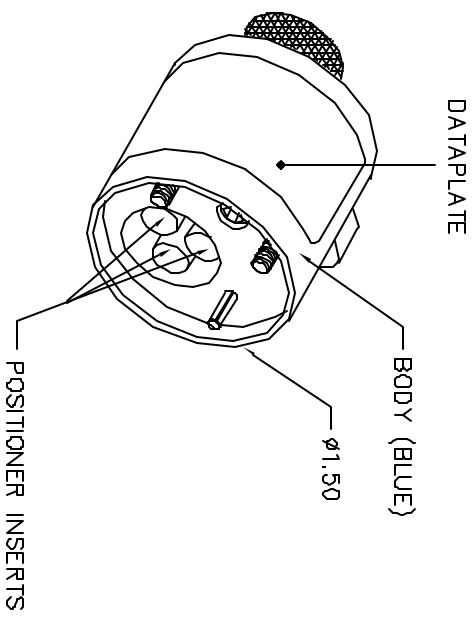


REVISIONS			
REV. NO.	DESCRIPTION	DATE	APP'D
1	ORIGINAL RELEASE	9/17/04	JMR /RR

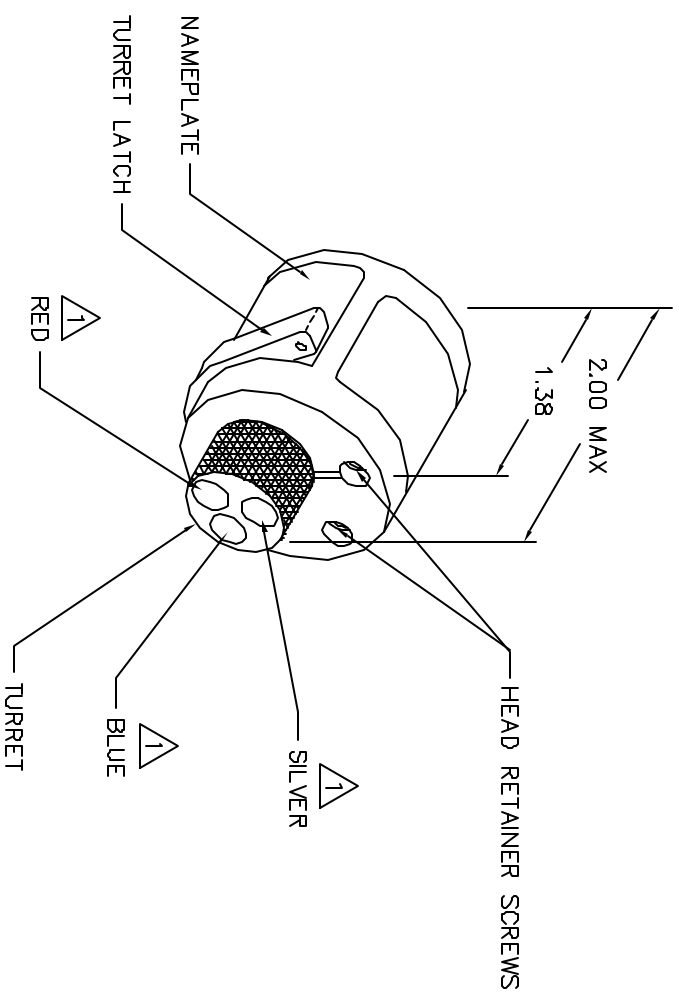
**UNCONTROLLED DOCUMENT  
WILL NOT BE UPDATED**

ITT CANNON CONTACTS	COLOR CODE	24	22	20	18	16	WIRE SIZE SELECTOR NUMBER
192991-0039	RED	2	3	4			
192991-0501	RED						
192991-0041	BLUE			4	5	6	
192991-0134	BLUE						



POSITIONER COLOR	HOLE DIMENSIONS	ADDITIONAL FEATURES
RED	$\phi .068$ $\pm .00729$	$\square \phi .108$ $\pm .409$
BLUE	$\phi .068$ $\pm .00774$	$\square \phi .108$ $\pm .454$
SILVER		$\square \phi .159$ $\pm .30$
		$\square \phi .159$ $\pm .35$

HOLE AND COUNTERBORE DEPTHS ARE MEASURED FROM TOP OF POSITIONER INSERTS.



**1** RANDOM ORDER OF ROTATION IS ACCEPTABLE.

RESTRICTED & CONFIDENTIAL			
CONFIDENTIAL PROPERTY OF DANIELS MANUFACTURING CORP. NOT TO BE REPRODUCED OR DISSEMINATED WITHOUT EXPRESS AUTHORIZATION IN WRITING BY DANIELS MANUFACTURING. MUST BE RETURNED TO DANIELS MANUFACTURING CORP. ON COMPLETION OF ORDER OR OTHER PURPOSE FOR WHICH LENT.			
ITEM	PART NO.	QTY.	DESCRIPTION/REMARKS
DRN	DATE		
CHK'D	DATE		
APP'D	DATE		
APP'D	DATE		
NOTE: THIS DRAWING IS AN OUTLINE DRAWING OF THE RESPECTIVE PART NUMBER. DIMENSIONS INDICATED ARE APPROXIMATE. PART NUMBER IS DRAWING NUMBER WITHOUT THE "ENV" SUFFIX.			
TITLE		WHERE USED	
ENVELOPE DRAWING TURRET HEAD		SIZE	SCALE
		B	NTS
		PORTING	
		DATE	REV.
		TH609-ENV	1
		TH609-ENV	1



DO NOT SCALE DRAWING