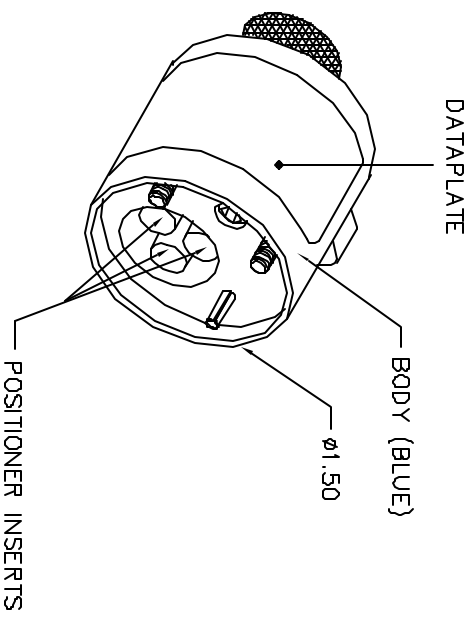


REVISIONS				
REV. SYM.	E.C.D. NUMBER	DESCRIPTION	BY DATE	APP'D DATE
1		ORIGINAL RELEASE	AM 2-21-86	DE 2-22-86

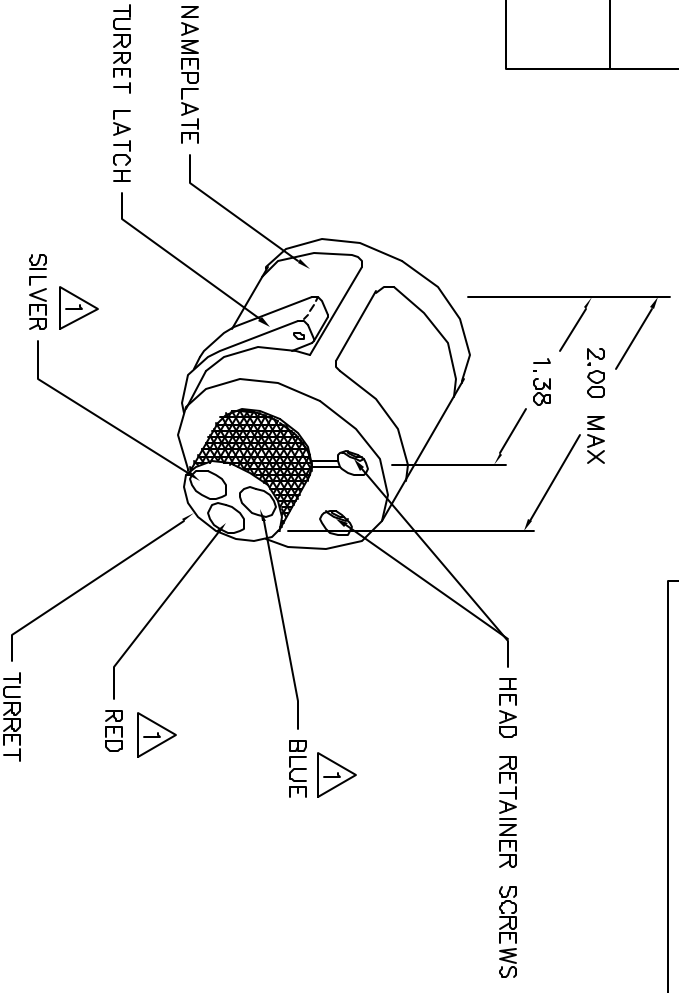
**UNCONTROLLED DOCUMENT
WILL NOT BE UPDATED**

SNCF CONTACTS KVB-SN		SYMBOLS CONTACTS	CODE COULEUR	POSITION SELECTEUR
SECTION CONDUCTEUR	BAUSE KVB-SN	7-847-6561(F)	ROUGE	3
0.5 mm ²	CARTE SBI	7-847-6564(M)	BLEU	4



POSITIONER COLOR	HOLE DIMENSIONS	ADDITIONAL FEATURES
RED	$\phi .084$ $\pm .84$ MIN.	$\sqcup \phi .108$ $\pm .069$
BLUE	$\phi .045$ $\pm .474$	$\sqcup \phi .113$ $\pm .29$
SILVER		

* HOLE AND COUNTERBORE DEPTHS ARE MEASURED FROM TOP OF POSITIONER INSERTS.



RESTRICTED & CONFIDENTIAL		DO NOT SCALE DRAWINGS	
ITEM	PART NO.	QTY.	DESCRIPTION/REMARKS
DRG. N. 100-1048	DATE 2-22-86		
DRG'S DE	DATE 2-26		
APFD	DD	DATE 2-26	
APFD		DATE	
<p style="text-align: center;">DWG DANIELS MANUFACTURING CORP. ORLANDO, FLORIDA CAGE 11851</p> <p style="text-align: center;">TITLE: ENVELOPE DRAWING TURRET HEAD</p> <p style="text-align: center;">WHERE USED: ASB</p>			
SIZE	SCALE	CAD P/N	SHEET 1 of 1
B	NTS	TH599-ENV	
POSTING		P/N	TH599-ENV 1