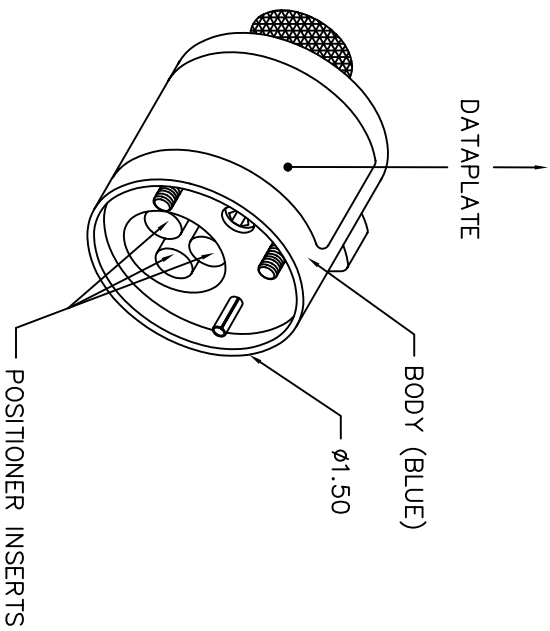
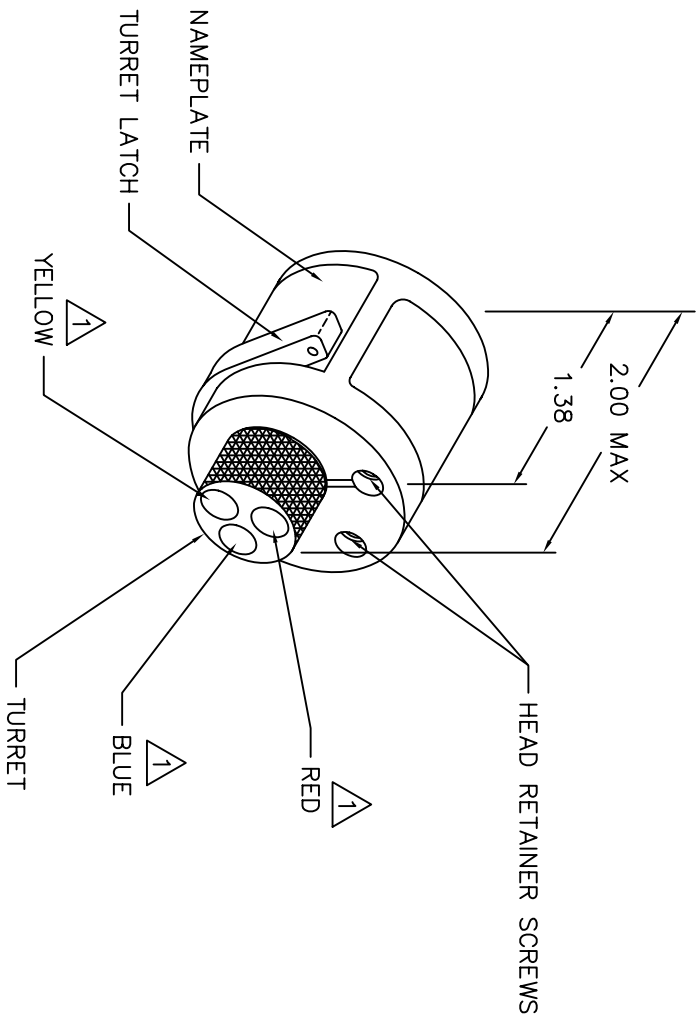


CONTACTS	COLOR CODE
10241, 10278	BLUE
7018, 7010-1, 10242	RED
7013	YELLOW



POSITIONER COLOR	HOLE DIMENSIONS	ADDITIONAL FEATURES
BLUE	$\phi .067$ $\pm .855$	$\sqsubset \phi .141$ $\pm .61$
RED	$\phi .096$ $\pm .979$	$\sqsubset \phi .165$ $\pm .874$
YELLOW	$\phi .140$ $\pm .864$	

* HOLE AND COUNTERBORE DEPTHS ARE MEASURED FROM TOP OF POSITIONER INSERTS.



1 RANDOM ORDER OF ROTATION IS ACCEPTABLE.

REVISIONS				
REV. STYL.	E.C.O. NUMBER	DESCRIPTION	BY DATE	APP'D DATE
1		ORIGINAL RELEASE	RAM 7-20-01	RRR 7-20-01

RESTRICTED & CONFIDENTIAL
 CONFIDENTIAL PROPERTY OF DANIELS MANUFACTURING CORP. NOT TO BE DISCLOSED TO OTHERS, REPRODUCED OR USED FOR ANY OTHER PURPOSE, EXCEPT AS AUTHORIZED IN WRITING BY DANIELS MANUFACTURING CORP. ON COMPLETION OF ORDER OR OTHER PURPOSE FOR WHICH LENT.

DO NOT SCALE DRAWING

DRW. A. MOO-YOUNG 7-20-01	CHK'D. RRR 7-20-01	APP'D. DATE	DATE
ITEM: A. MOO-YOUNG 7-20-01	PART NO.	QTY.	DESCRIPTION/REMARKS
<p>Daniel's Manufacturing Corp. DANIELS MANUFACTURING CORP. ORLANDO, FLORIDA CASE 11851</p>			
TITLE: ENVELOPE DRAWING		TURRET HEAD	
WHERE USED: AFB		CAD P/N	SHEET 1 OF 1
SIZE: B		SCALE: NTS	REV. 1
POSTING		DWG. NO. TH588-ENV	REV. 1

NOTE: THIS DRAWING IS AN OUTLINE DRAWING OF THE RESPECTIVE PART NUMBER IS DRAWING NUMBER WITHOUT THE "-ENV" SUFFIX.