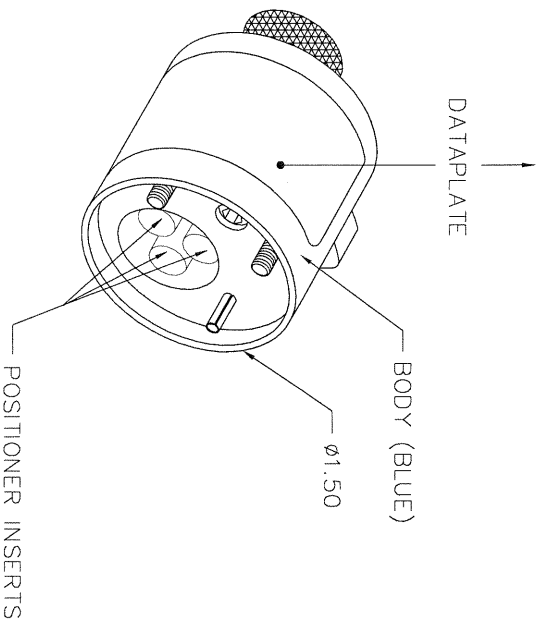
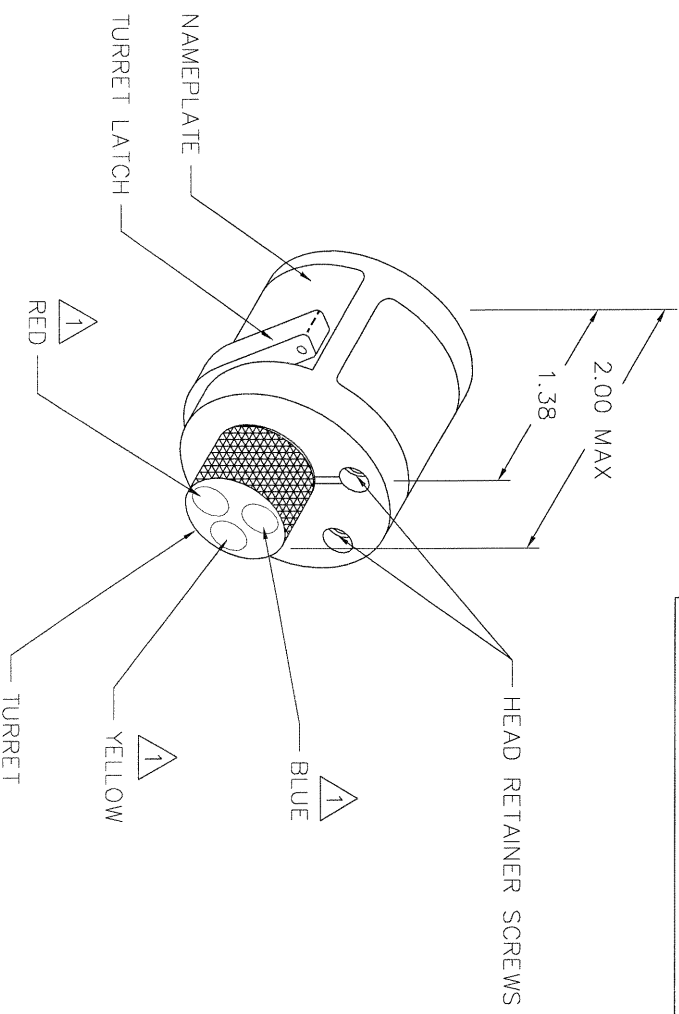


CONCALL CONTACTS	COLOR CODE	20	18	16	14	12	WIRE SIZE
689-PS	RED	4	5	5			SELECTOR NO.
650-SS	BLUE	4	5	6			
494-SS				7			
495-PS	YELLOW						
488-SS					7		
489-PS						8	



POSITIONER COLOR	HOLE DIMENSIONS	ADDITIONAL FEATURES
BLUE	Ø.114 ±.THRU	□ Ø.129 ±.011
YELLOW	Ø.144 ±.THRU	□ Ø.161 ±.017
RED	Ø.104 ±.THRU	□ Ø.129 ±.010

* HOLE AND COUNTERBORE DEPTHS ARE MEASURED FROM TOP OF POSITIONER INSERTS.



1 RANDOM ORDER OF ROTATION IS ACCEPTABLE.

REVISIONS			
REV. SYM.	E.C.O. NUMBER	DESCRIPTION	BY TID DATE
1		ORIGINAL RELEASE	4-21-08

**UNCONTROLLED DOCUMENT
WILL NOT BE UPDATED**

RESTRICTED & CONFIDENTIAL		CONFIDENTIAL PROPERTY OF DANIELS MANUFACTURING CORP. NOT TO BE DISCLOSED TO OTHERS, REPRODUCED OR TRANSMITTED IN ANY FORM OR BY ANY MEANS, ELECTRONIC OR MECHANICAL, INCLUDING PHOTOCOPYING, RECORDING, OR BY ANY INFORMATION STORAGE AND RETRIEVAL SYSTEM, WITHOUT THE WRITTEN PERMISSION OF DANIELS MANUFACTURING CORP. ON COMPLETION OF ORDER OR OTHER PURPOSE FOR WHICH LENT.	
ITEM	PART NO.	QTY.	DESCRIPTION/REMARKS
DRN. <i>Stony Milwaukee</i>	DATE		
CHK'D.	DATE		
APP'D.	DATE		
APP'D.	DATE		
NOTE: THIS DRAWING IS AN OUTLINE DRAWING OF THE RESPECTIVE DIMENSIONS AND PART NUMBER INDICATED. DIMENSIONS AND PART NUMBER WITHOUT THE "-ENV" SUFFIX.			
WHERE USED: AFB		CAD P/N	SHEET 1 OF 1
SIZE SCALE		TH584-ENV	REV. 1
POSTING		TH584-ENV	REV. 1
DANIELS MANUFACTURING CORP. ORLANDO, FLORIDA CAGE 11851			
ENVELOPE DRAWING TURRET HEAD			

DO NOT SCALE DRAWING