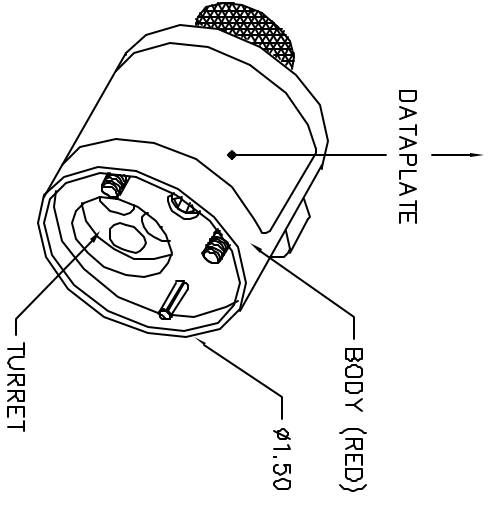
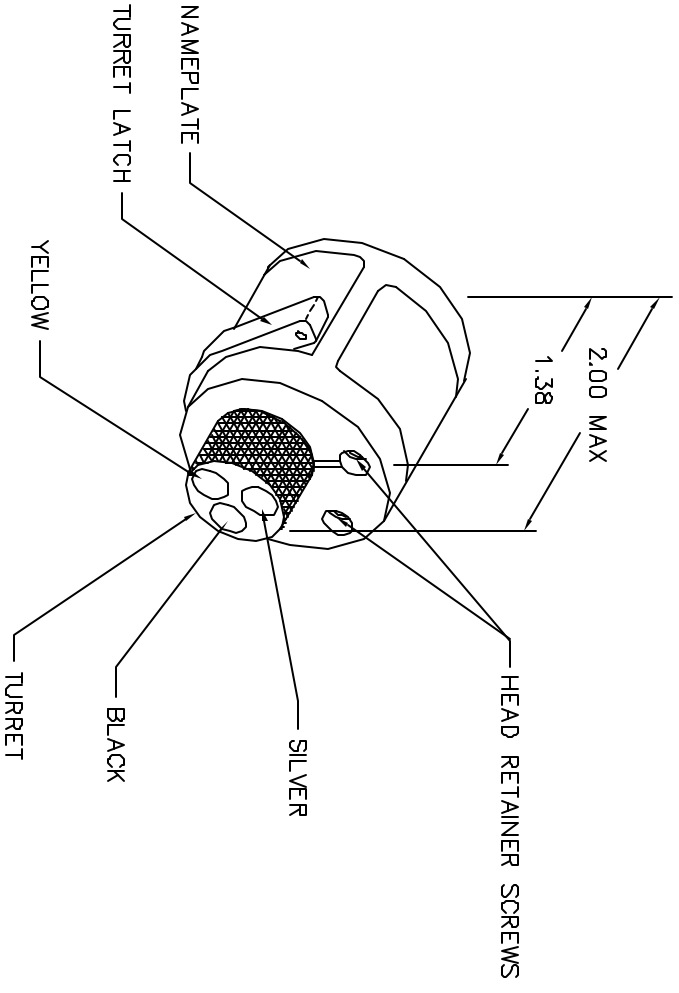


SIEMENS INDUSTRIAL AUTOMATION	COLOR CODE	CRIMP PROCESS
6FX2003-5AD00	YELLOW	CONDUCTOR
	BLACK	INSULATION
USE WITH M300BT		



POSITIONER COLOR	* HOLE DIMENSIONS	ADDITIONAL FEATURES
YELLOW	$\downarrow \phi .283$ $\downarrow .39$	
BLACK	$\downarrow \phi .283$ $\downarrow .74$	
SILVER		

* HOLE DEPTHS ARE TAKEN FROM THE TOP OF THE TURRET.



REV. SYM.	E.C.D. NUMBER	DESCRIPTION	DT. DATE	APP'D. DATE
2		REDRAWN	12-23-98	12-23-98
3		$\phi .283$ WAS $\phi .277$	2-17-00	2-17-00

**UNCONTROLLED DOCUMENT
WILL NOT BE UPDATED**

RESTRICTED & CONFIDENTIAL		DANIELS MANUFACTURING CORP. 100 DANIELS MANUFACTURING MANUFACTURING CORP. IN COMPLIANCE OF ORDER OR OTHER PURPOSE FOR WHICH LDN1.	
ITEM	PART NO.	QTY.	DESCRIPTION/REMARKS
DRN A. MIDO-YOUNG	DATE 1-4-97		
CHK'D RRR	DATE 1-4-97		
APP'D.	DATE		
Daniel's Manufacturing Corp. DANIELS MANUFACTURING CORP. ORLANDO, FLORIDA GAUGE 11851		TITLE ENVELOPE DRAWING TURRET HEAD	
WHERE USED: M300BT		SIZE B	SCALE NTS
DO NOT SCALE DRAWING		TAD P/N TH581-ENV	SHEET 1 OF 1
		P/N TH581-ENV	REV. 3