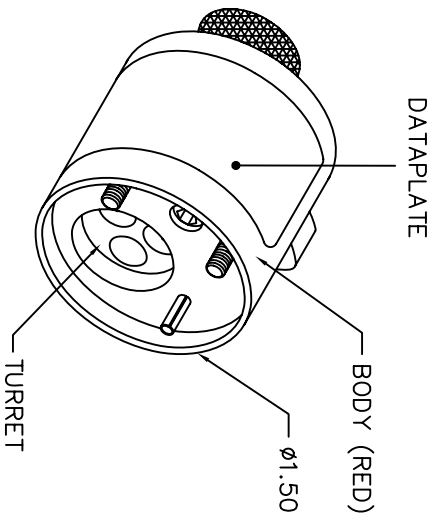
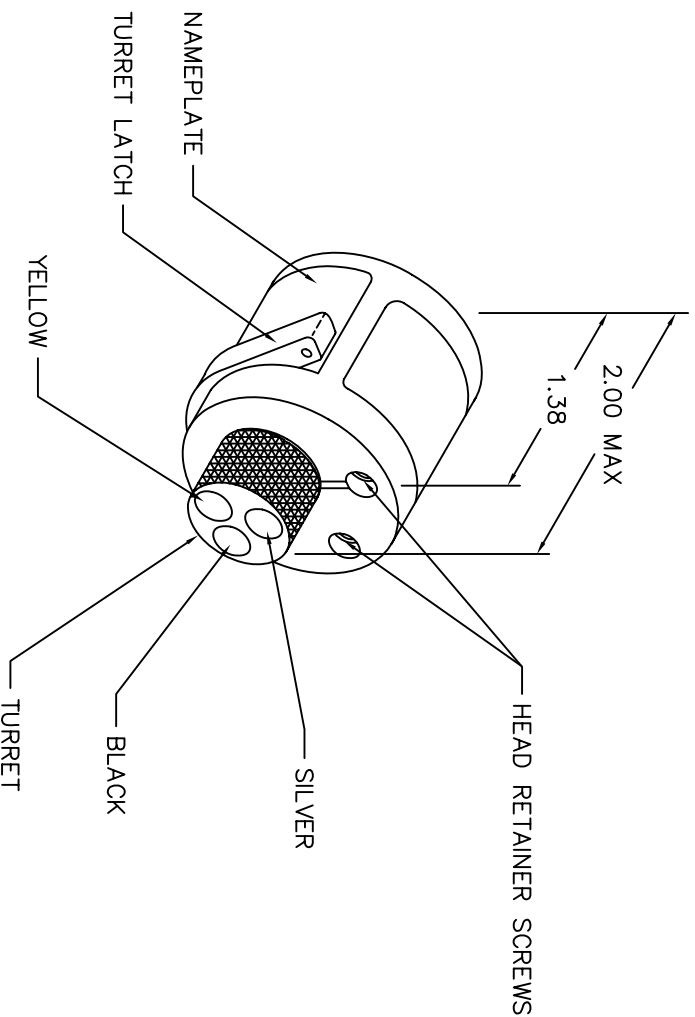


SIEMENS INDUSTRIAL AUTOMATION	COLOR CODE	CRIMP PROCESS
6FX2003-5AD00	YELLOW	CONDUCTOR
	BLACK	INSULATION
USE WITH M320		



POSITIONER COLOR	* HOLE DIMENSIONS	ADDITIONAL FEATURES
YELLOW	$\phi .283$ $\pm .039$	
BLACK	$\phi .283$ $\pm .074$	
SILVER		

* HOLE DEPTHS ARE TAKEN FROM THE TOP OF THE TURRET.



REVISIONS					
REV.	E.C.O. NUMBER	DESCRIPTION	BY DATE	APP'D DATE	
1		ORIGINAL RELEASE	RAM 6-25-99	RRR 6-25-99	
2		$\phi .283$ WAS $\phi .277$	RAM 2-17-00	RRR 2-17-00	

**UNCONTROLLED DOCUMENT
WILL NOT BE UPDATED**

RESTRICTED & CONFIDENTIAL
 CONFIDENTIAL PROPERTY OF DANIELS MANUFACTURING CORP. NOT TO BE DISCLOSED TO OTHERS, REPRODUCED OR TRANSMITTED IN ANY FORM OR BY ANY MEANS, WITHOUT THE EXPRESS WRITTEN PERMISSION OF DANIELS MANUFACTURING CORP. ON COMPLETION OF ORDER OR OTHER PURPOSE FOR WHICH LENT.

DO NOT SCALE DRAWING

ITEM	PART NO.	QTY.	DESCRIPTION/REMARKS
DRW. A. MOO-YOUNG 6-25-99			
CHK'D. RRR 6-25-99			
APP'D. DATE	DATE		
NOTE:	THIS DRAWING IS AN OUTLINE DRAWING OF THE RESPECTIVE INDICATED PART NUMBER. PART NUMBER IS DRAWING NUMBER WITHOUT THE "-ENV" SUFFIX.		
TITLE		WHERE USED: M320	
ENVELOPE DRAWING		CAD P/N	
TURRET HEAD		TH581-1-ENV	
DANIELS MANUFACTURING CORP. ORLANDO, FLORIDA CAGE 11851		SHEET 1 OF 1	
REV. 2		REV. 2	