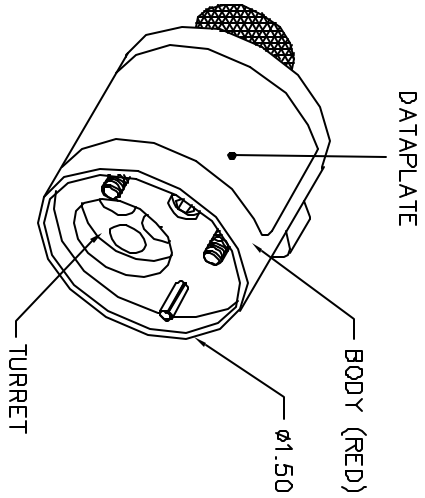


REVISIONS				
REV. SYM.	E.O.D. NUMBER	DESCRIPTION	BY DATE	APP'D DATE
1		ORIGINAL RELEASE	MM RRR 12-23-99	RRR 12-23-99

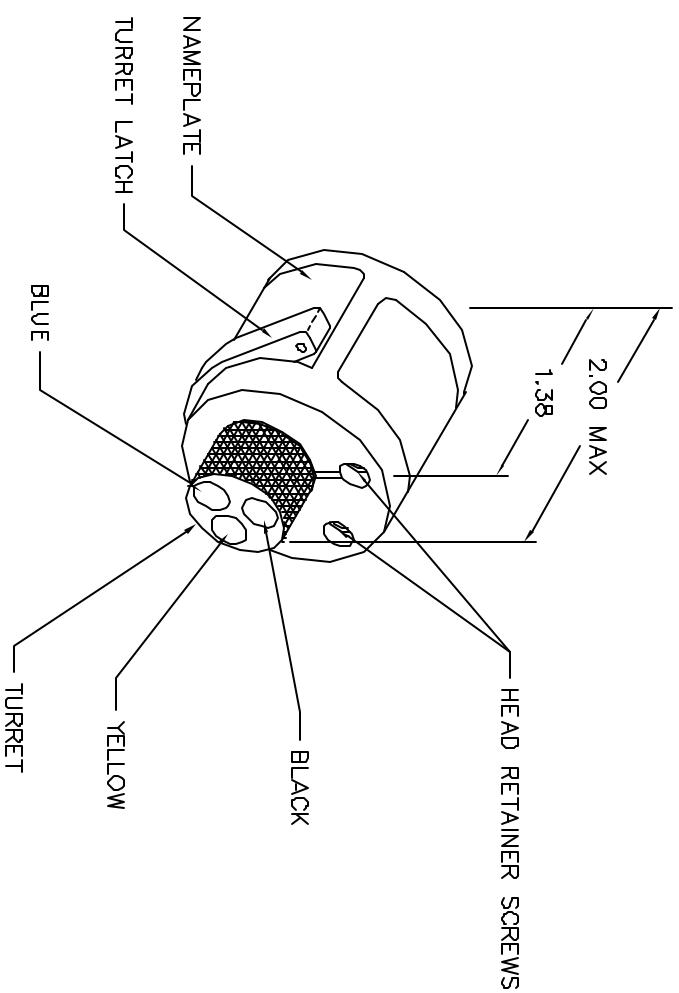
**UNCONTROLLED DOCUMENT
WILL NOT BE UPDATED**

SIEMENS INDUSTRIAL AUTOMATION	COLOR CODE	CRIMP PROCESS
	BLUE	16 AWG COND
	YELLOW	12 AWG COND
	BLACK	INSULATION
6FX2003-5AC00		
USE WITH M300BT		



POSITIONER COLOR	* HOLE DIMENSIONS	ADDITIONAL FEATURES
BLUE	Ø.277 ±.034	
YELLOW	Ø.277 ±.058	
BLACK	Ø.277 ±.084	

* HOLE DEPTHS ARE TAKEN FROM THE TOP OF THE TURRET.



RESTRICTED & CONFIDENTIAL

CONFERENTIAL PROPERTY OF DANIELS MANUFACTURING CORP. REPRODUCTION OR USE FOR ANY OTHER PURPOSE, EXCEPT AS AUTHORIZED IN WRITING BY DANIELS MANUFACTURING, MUST BE RETURNED TO DANIELS MANUFACTURING CORP. ON COMPLETION OF ORDER OR WITHIN 14 DAYS OF WHICH DATE.

ITEM	PART NO.	QTY.	DESCRIPTION/REMARKS
DMC A. MOD-YOUNG	12-23-99		
DMC RR	12-23-99		
DMC	DATE		
DMC	DATE		
DMC	DATE		

TITLE			
DMC			
DANIELS MANUFACTURING CORP. ORLANDO, FLORIDA CAGE 17851			
ENVELOPE DRAWING TURRET HEAD			
WHERE USED: M300BT			
SIZE	SCALE	CAD P/N	SHEET
B	NIS	TH580-ENV	1 OF 1
POSTING		P/M	REV.
		TH580-ENV	1

DO NOT SCALE DRAWING