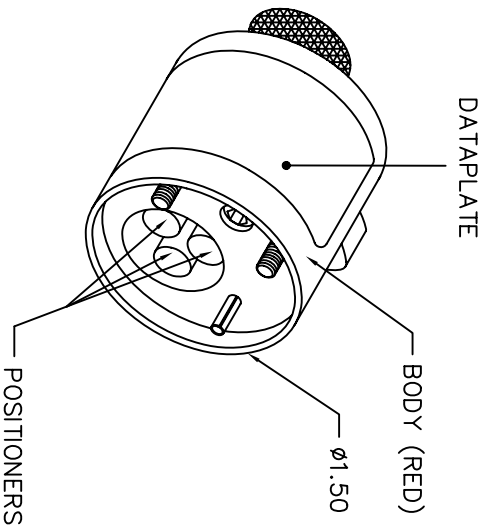
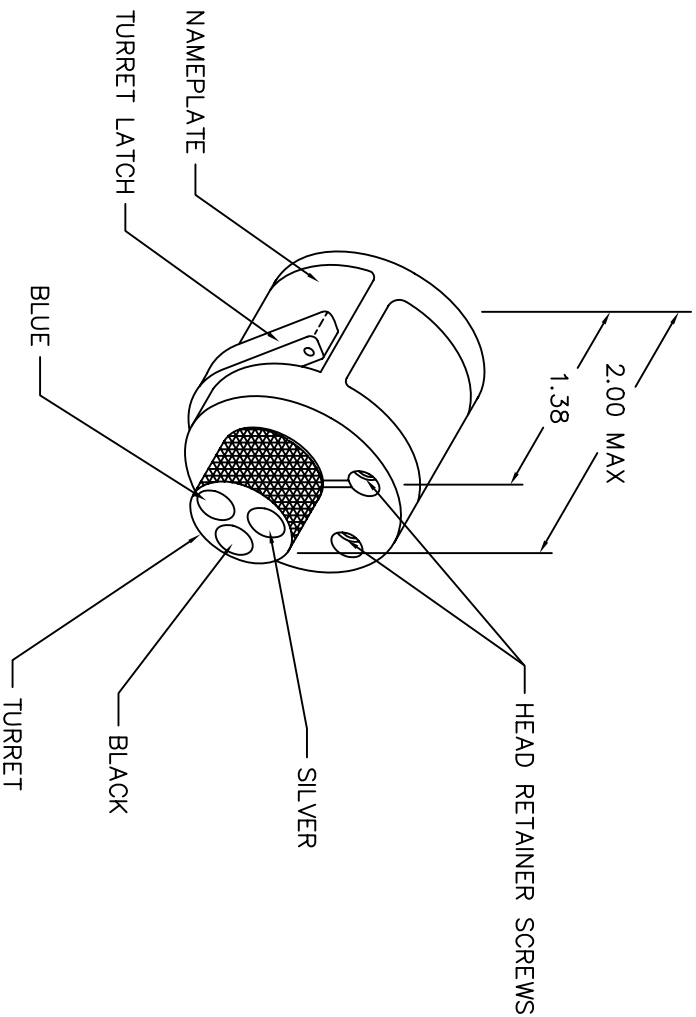


SIEMENS INDUSTRIAL AUTOMATION	COLOR CODE	CRIMP PROCESS
6FX2003-5AA00	BLUE	CONDUCTOR
6FX2003-5AB00	BLACK	INSULATION
USE WITH M320		



POSITIONER COLOR	* HOLE DIMENSIONS	ADDITIONAL FEATURES
BLUE	Ø.149 ±.200	
BLACK	Ø.149 ±.463	
SILVER		

* HOLE DEPTHS ARE TAKEN FROM THE TOP OF THE COLOR CODED POSITIONERS.



REVISIONS				
REV. STYL.	E.C.O. NUMBER	DESCRIPTION	BY DATE	APP'D DATE
1		ORIGINAL RELEASE	RAM 6-25-99	RRR 6-25-99

**UNCONTROLLED DOCUMENT
WILL NOT BE UPDATED**

RESTRICTED & CONFIDENTIAL
 CONFIDENTIAL PROPERTY OF DANIELS MANUFACTURING CORP. NOT TO BE DISCLOSED TO OTHERS, REPRODUCED OR USED FOR ANY OTHER PURPOSE, EXCEPT AS AUTHORIZED IN WRITING BY DANIELS MANUFACTURING. MUST BE RETURNED TO DANIELS MANUFACTURING FOR THE PROTECTION OF ORDER OR OTHER PURPOSE FOR WHICH LENT.

DO NOT SCALE DRAWING

ITEM	PART NO.	QTY.	DESCRIPTION/REMARKS
DRN. A. M00-YOUNG	6-25-99		
CHK'D. RRR	6-25-99		
APP'D.	DATE		
APP'D.	DATE		

NOTE: THIS DRAWING IS AN OUTLINE DRAWING OF THE RESPECTIVE INDIC PART NUMBER. PART NUMBER IS DRAWING NUMBER WITHOUT THE "-ENV" SUFFIX.

SIZE	SCALE	CAD P/N	SHEET	OF
B	NTS	TH579-1-ENV	1	1
POSTING		DWG. NO. TH579-1-ENV	REV.	
			1	

WHERE USED: M320

Daniel's Manufacturing Corp.
 ORLANDO, FLORIDA
 CASE 11851

TITLE: ENVELOPE DRAWING
 TURRET HEAD