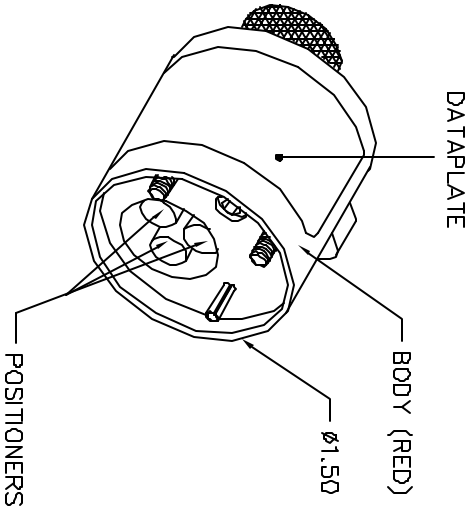


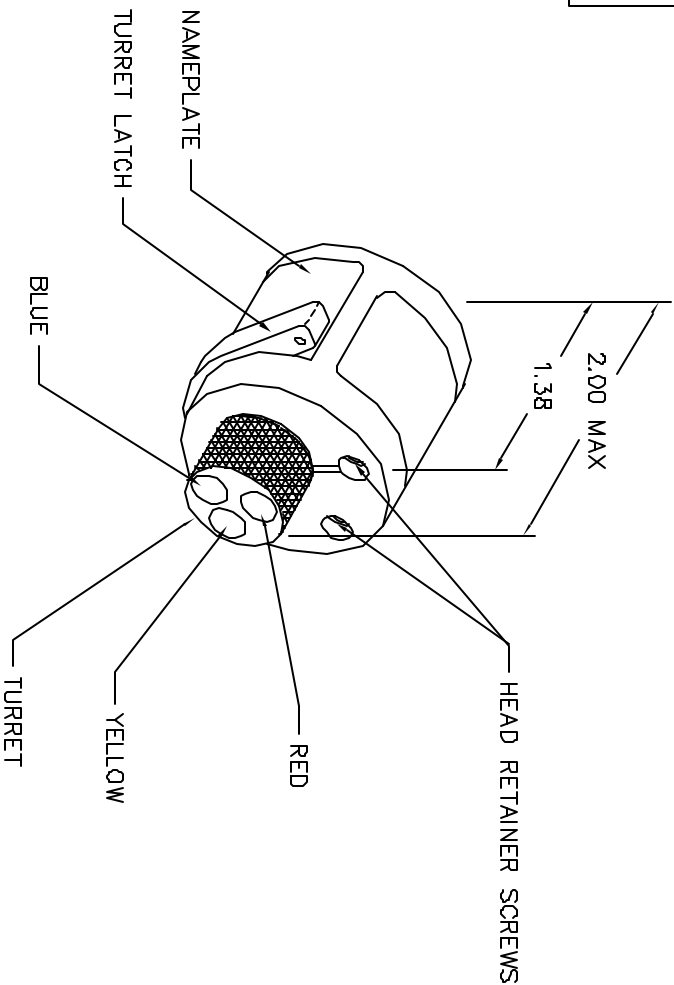
REVISIONS			
REV. NO.	DESCRIPTION	BY	DATE
1	ORIGINAL RELEASE	RAM	2-26-90
		RRR	2-26-90

FRAMATOME CONNECTORS										TURRET HEAD 8949 1745			
ESA/SQC 3401040	Sex	POSITIONER COLOR	8	10	12	14	WIRE SIZE	SELECTOR NO.		USE WITH M300BT BASIC TOOL			
07	P	RED	8										
09	P	BLUE		2									
10	S	YELLOW											
11	P				1								
12	S					1							



POSITIONER COLOR	* HOLE DIMENSIONS	ADDITIONAL FEATURES
RED	Ø.226 ±.402	
BLUE	Ø.226 ±.327	
YELLOW	Ø.226 ±.265	

\* HOLE DEPTHS ARE MEASURED FROM THE TOP OF THE POSITIONER INSERTS.



RESTRICTED & CONFIDENTIAL		GENERAL PROPERTY OF DANIELS MANUFACTURING CORP. NOT TO BE REPRODUCED OR TRANSMITTED IN ANY FORM OR BY ANY MEANS, ELECTRONIC OR MECHANICAL, INCLUDING PHOTOCOPYING, RECORDING, OR BY ANY INFORMATION STORAGE AND RETRIEVAL SYSTEM, WITHOUT THE WRITTEN PERMISSION OF DANIELS MANUFACTURING CORP.	
REV. NO.	DATE	REV. NO.	DATE
A1	10-01-89	B	12-21-89
APP'D:	DATE	APP'D:	DATE
RRR			
TITLE		DESCRIPTION/REMARKS	
ENVELOPE DRAWING		TURRET HEAD	
DANIELS MANUFACTURING CORP.		ORLANDO, FLORIDA	
CASE 17851			
THIS DRAWING IS AN OUTLINE DRAWING OF THE RESPECTIVE INDICATED PART NUMBER. PART NUMBER IS DRAWING NUMBER WITHOUT THE "-ENV" SUFFIX.		WHEN USED: NS000T	
SIZE	SCALE	PAID P/N	SHEET OF
B	NTS	TH558-ENV	1 OF 1
DATE	DATE	DWG. NO.	REV.
		TH558-ENV	1

DO NOT SCALE DRAWING