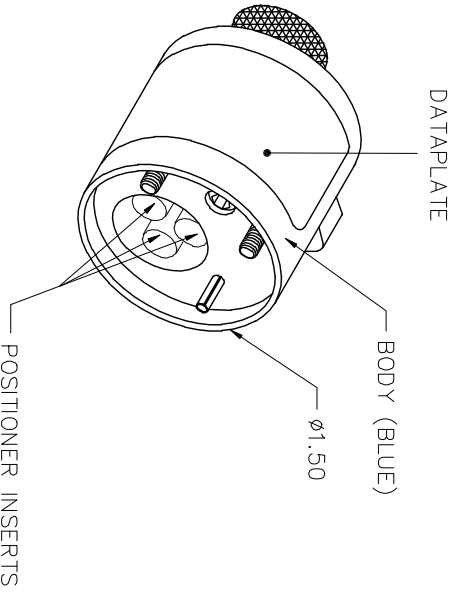


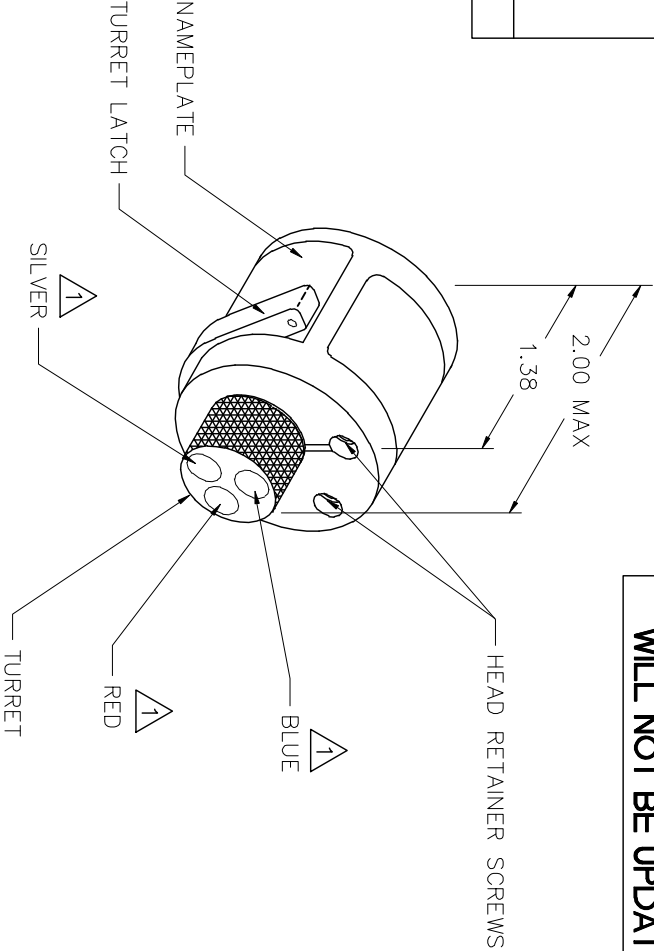
CONTACTS	COLOR	18	16	WIRE SIZE
ITT CANNON	CODE			
020436Y0000	RED	5	6	SELECTOR NO.
020437Y0000				
020434Y0000	BLUE			
020435Y0000				

USE WITH FT8



POSITIONER COLOR	HOLE DIMENSIONS	ADDITIONAL FEATURES
RED	Ø.145 ±.305	□ Ø.201 ±.297
BLUE	Ø.145 ±.543	□ Ø.226 ±.528 □ Ø.236 ±.090
SILVER	_____	_____

HOLE AND COUNTERBORE DEPTHS ARE MEASURED FROM TOP OF POSITIONER INSERTS.



⚠️ RANDOM ORDER OF ROTATION IS ACCEPTABLE.

**UNCONTROLLED DOCUMENT  
WILL NOT BE UPDATED**

REVISIONS			
REV. SYM.	E.C.O. NUMBER	DESCRIPTION	BY DATE
1		REDRAWN	RRR 3-14-01

<b>RESTRICTED &amp; CONFIDENTIAL</b>		CONFIDENTIAL PROPERTY OF DANIELS MANUFACTURING CORP. NOT TO BE DISCLOSED TO OTHERS, REPRODUCED OR USED FOR ANY OTHER PURPOSE, EXCEPT AS AUTHORIZED IN WRITING BY DANIELS MANUFACTURING CORP. MUST BE RETURNED TO DANIELS MANUFACTURING CORP. ON COMPLETION OF ORDER OR OTHER PURPOSE FOR WHICH LENT.	
ITEM	PART NO.	QTY.	DESCRIPTION/REMARKS
DRAWN: A. MOO-YOUNG	DATE: 3-14-94		
CHK'D: MC	DATE: 3-14-94		
APPR'D:	DATE:		
NOTE: THIS DRAWING IS AN OUTLINE DRAWING OF A PART MANUFACTURED TO ORDER. DIMENSIONS INDICATED ARE ACTUAL DIMENSIONS. PART NUMBER WITHOUT THE "-ENV" SUFFIX.			
TITLE: ENVELOPE DRAWING TURRET HEAD		WHERE USED: FT8	
DRAWN BY: A. MOO-YOUNG		SCALE: 1/1	SHEET: 1 OF 1
CHECKED BY: MC		DATE: 3-14-94	REV. 1
APPROVED BY:		DATE:	
DANIELS MANUFACTURING CORP.		ORLANDO, FLORIDA	CAGE 11851
DWG. NO. TH554-ENV			