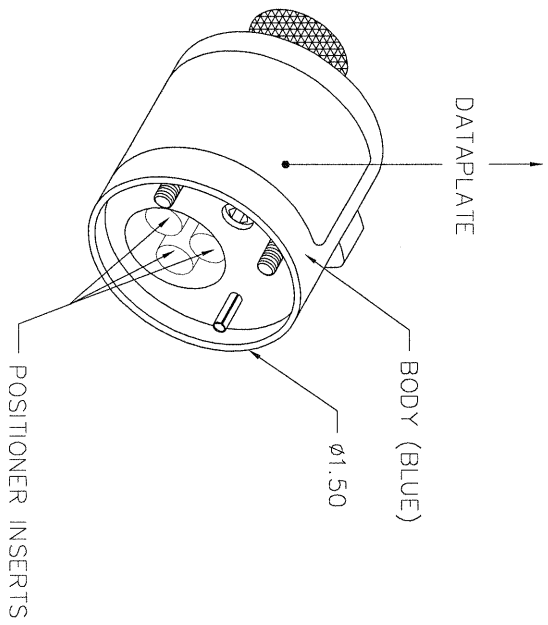


REVISIONS			
REV	E.C.O. NUMBER	DESCRIPTION	BY DATE
1		ORIGINAL RELEASE	4-24-08

**UNCONTROLLED DOCUMENT
WILL NOT BE UPDATED**

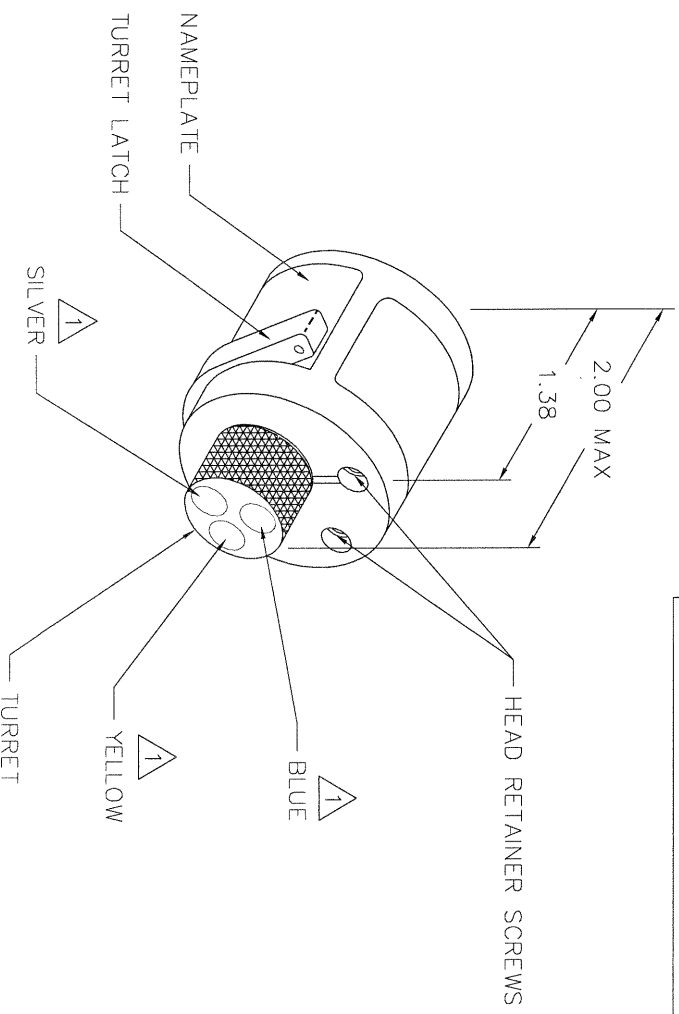
CONNALL CONTACTS	COLOR CODE	20	18	16	14	12	WIRE SIZE
650-SG	650-SS	BLUE	4	5	6		SELECTOR NUMBER
689-PG	689-PS						
488-SG	488-SS	YELLOW		6	7	8	
489-PG	489-PS						

CONNALL 358-112



POSITIONER COLOR	HOLE DIMENSIONS	ADDITIONAL FEATURES
BLUE	Ø.106 ± THRU	└┐ Ø.130 ±.027
YELLOW	Ø.145 ± THRU	└┐ Ø.165 ±.027
SILVER		

* HOLE AND COUNTERBORE DEPTHS ARE MEASURED FROM TOP OF POSITIONER INSERTS.



1 RANDOM ORDER OF ROTATION IS ACCEPTABLE.

RESTRICTED & CONFIDENTIAL		CONFIDENTIAL PROPERTY OF DANIELS MANUFACTURING CORP. NOT TO BE DISCLOSED TO OTHERS. REPRODUCED OR COPIED IN ANY MANNER WITHOUT WRITING BY DANIELS MANUFACTURING MANUFACTURING CORP. ON COMPLETION OF ORDER OR OTHER PURPOSE FOR WHICH INT.	
ITEM	PART NO.	QTY.	DESCRIPTION/REMARKS
DRN: <i>Sony</i> CHK'D: <i>Shilworth</i>	DATE: 4-24-08		DANIELS MANUFACTURING CORP. ORLANDO, FLORIDA CAGE 11851
APP'D.	DATE		ENVELOPE DRAWING TURRET HEAD
APP'D.	DATE		
NOTE: THIS DRAWING IS AN OUTLINE DRAWING OF THE RESPECTIVE INDICATED. ACTUAL DIMC PART NUMBER INDICATED IN THIS DRAWING THE "-ENV" SUFFIX.		WHERE USED: AFS	CAD P/N: TH549-ENV
DO NOT SCALE DRAWING		SCALE: B	DWG NO: TH549-ENV
		POSTING	SHEET 1 OF 1
			REV. 1