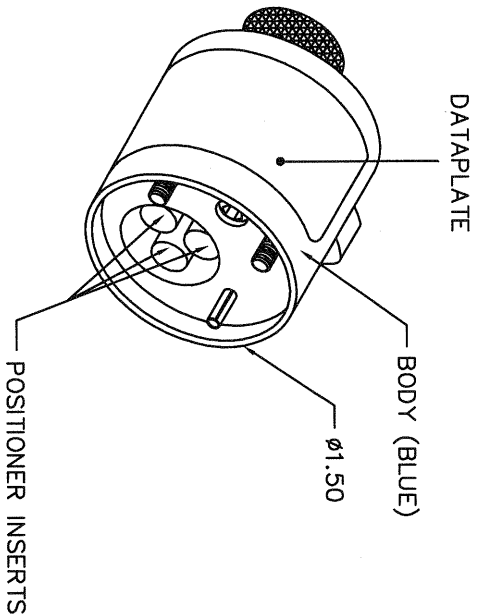


REVISIONS				
REV. NO.	E.C.O. NUMBER	DESCRIPTION	BY DATE	APP'D DATE
1		ORIGINAL RELEASE	8-6-08	

**UNCONTROLLED DOCUMENT  
WILL NOT BE UPDATED**

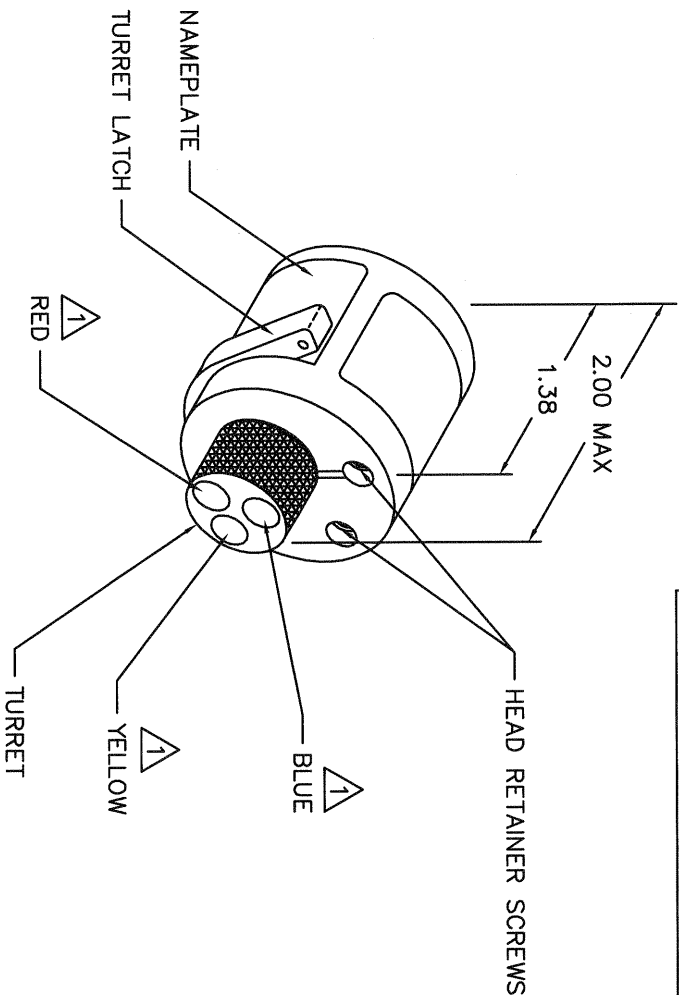
CONTACT HYPERTAC	COLOR CODE	20	18	16	14	12	WIRE SIZE
0150-68	RED	4	5	6			
0200-42	YELLOW				8	8	
0150-90	BLUE		5	6	7		

USE WITH FT8 TOOL



POSITIONER COLOR	HOLE DIMENSIONS	ADDITIONAL FEATURES
BLUE	Ø.136 ±.556	□ Ø.172 ±.50
RED	Ø.137 ±THRU	□ Ø.154 ±.084
YELLOW	Ø.228 ±.672	

\* HOLE AND COUNTERBORE DEPTHS ARE MEASURED FROM TOP OF POSITIONER INSERTS.



△1 RANDOM ORDER OF ROTATION IS ACCEPTABLE.

**RESTRICTED & CONFIDENTIAL**  
CONFIDENTIAL PROPERTY OF DANIELS MANUFACTURING CORP. NOT TO BE DISCLOSED TO OTHERS, REPRODUCED OR TRANSMITTED IN ANY FORM OR BY ANY MEANS, WITHOUT THE WRITTEN AUTHORIZATION OF DANIELS MANUFACTURING CORP. ON COMPLETION OF ORDER OR OTHER PURPOSE FOR WHICH SENT.

DO NOT SCALE DRAWING

ITEM	PART NO.	QTY.	DESCRIPTION/REMARKS
DRAWN BY: M. FRINK	DATE: 8-6-08		
CHK'D:	DATE:		
APP'D:	DATE:		
APP'D:	DATE:		

NOTE: THIS DRAWING IS AN OUTLINE DRAWING OF THE RESPECTIVE PART NUMBER IS DRAWING NUMBER WITHOUT THE "-ENV" SUFFIX.		WHERE USED: AFB	CAD P/N: TH548-ENV	SHEET 1 OF 1
TITLE: ENVELOPE DRAWING TURRET HEAD		SIZE: B	DWG NO: TH548-ENV	REV: 1