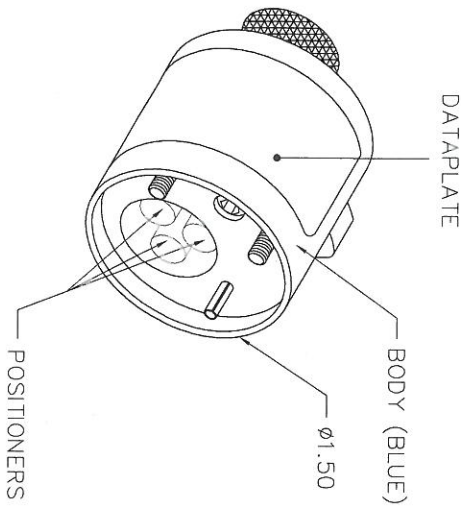
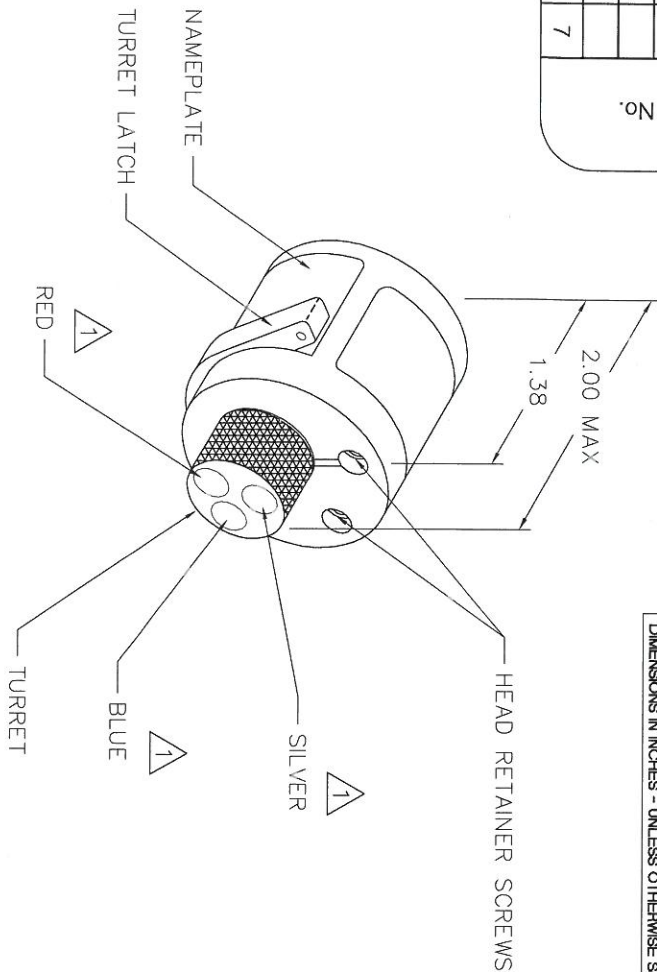


TYCO HTS SERIES		COLOR	mm ²					SECTOR NO.
			0,5	1	1,5	2,5		
1-1105100-1	1-1105100-2	RED	6					
2-1105100-1	2-1105100-2		6					
3-1105100-1	3-1105100-2			7				
4-1105100-1	4-1105100-2	BLUE				7		
1-1105101-1	1-1105101-2		6					
2-1105101-1	2-1105101-2			6				
3-1105101-1	3-1105101-2				7			
4-1105101-1	4-1105101-2				7			



POSITIONER COLOR	HOLE DIMENSIONS	ADDITIONAL FEATURES
RED	±.84 MIN. Ø.101	□ Ø.182 ±.099
BLUE	±.584 Ø.185	
SILVER		

SOLE AND COUNTERBORE DEPTHS ARE MEASURED FROM TOP OF POSITIONER INSERTS.



▲ RANDOM ORDER OF ROTATION IS ACCEPTABLE.

REVISIONS			
REV. STA.	E.C.O. NUMBER	DESCRIPTION	BY DATE
1		ORIGINAL RELEASE	Tom J0
2	23922	DATAPLATE CHANGE	7-23-15

**UNCONTROLLED DOCUMENT
WILL NOT BE UPDATED**
DIMENSIONS IN INCHES - UNLESS OTHERWISE SPECIFIED

RESTRICTED & CONFIDENTIAL		ITEM	PART NO.	QTY.	DESCRIPTION/REMARKS
CONFIDENTIAL PROPERTY OF DANIELS MANUFACTURING CORP. NOT TO BE DISCLOSED TO OTHERS, REPRODUCED OR USED FOR ANY OTHER PURPOSE, EXCEPT AS AUTHORIZED BY DANIELS MANUFACTURING CORP. ON COMPLETION OF ORDER OR OTHER PURPOSE FOR WHICH INT.		DRN.	DATE		
		CHK'D.	DATE		
		APP'D.	DATE		
		APP'D.	DATE		
		NOTE:	THIS DRAWING IS AN OUTLINE DRAWING OF THE RESPECTIVE PART NUMBER INDICATED AS CAD PART NUMBER WITHOUT THE "-ENV" SUFFIX.		
DO NOT SCALE DRAWING		SCALE	CAD P/N	SHEET	OF
		B	TH531T-ENV	1	1
		NTS	TH531T	1	1
		POSTING	DMG. NO.	TH531T	2

ENVELOPE DRAWING
TURRET HEAD



DANIELS MANUFACTURING CORP.
ORLANDO, FLORIDA
CAGE 11851