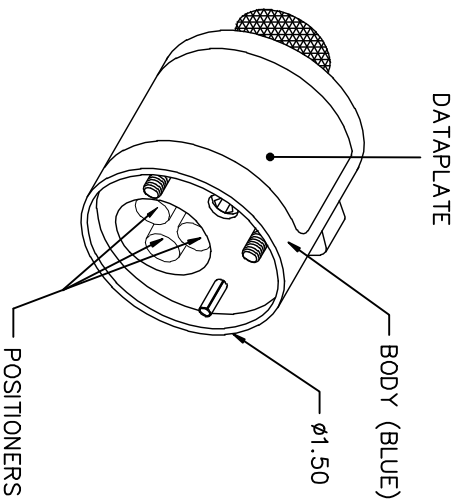
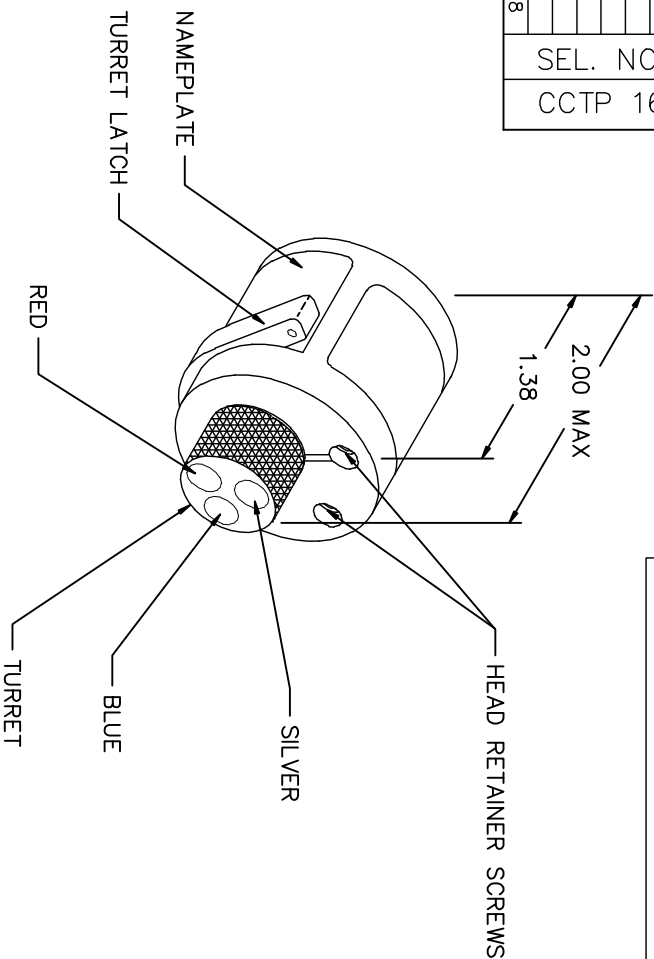
		CCMA - CCFA		0.14	0.25	0.34	0.5	0.75	1.0	1.5	2.5	3.0	4.0	WIRE SIZE
CCMD - CCFD		BLUE		mm ²	mm ²	mm ²	mm ²	mm ²	mm ²	mm ²	mm ²	mm ²	mm ²	AWG
RED	SOCKET	26	24	22	20	18	17	16	14	12	12	12	12	
0.3		5	5	6	7									
0.5				6	6	7								
0.7					6	7	7							
1.0						6	7	7						
1.5							6	7	8					
2.5								6	7	7				
3.0									6	7	7			
4.0										6	7	7		
														8
SEL. NO.														
CCTP 16														



POSITIONER COLOR	HOLE DIMENSIONS	ADDITIONAL FEATURES
RED	Ø.101 ±.84 MIN.	□ Ø.182 ±.099
BLUE	Ø.185 ±.584	
SILVER		



REVISIONS				
REV. SYM.	E.C.O. NUMBER	DESCRIPTION	BY DATE	APP'D DATE
1		ORIGINAL RELEASE	AAM 6-9-99	RRR 6-9-99
2	21595	DATAPLATE CHANGE	2-9-10	

**UNCONTROLLED DOCUMENT
WILL NOT BE UPDATED**

RESTRICTED & CONFIDENTIAL		CONFIDENTIAL PROPERTY OF DANIELS MANUFACTURING CORP. NOT TO BE REPRODUCED OR USED FOR ANY OTHER PURPOSE EXCEPT AS AUTHORIZED IN WRITING BY DANIELS MANUFACTURING. MUST BE RETURNED TO DANIELS MANUFACTURING CORP. ON COMPLETION OF ORDER WHICH LENT.	
ITEM	PART NO.	QTY.	DESCRIPTION/REMARKS
DRAWN: A. MOO-YOUNG	DATE: 6-9-99		
CHK'D: RRR	DATE: 6-9-99		
APP'D:	DATE:		
NOTE: THIS DRAWING IS AN OUTLINE DRAWING OF A PART. DIMENSIONS INDICATED ARE THEORETICAL. ACTUAL DIM PART NUMBER IS DRAWING NUMBER WITHOUT THE "-ENV" SUFFIX.			
DO NOT SCALE DRAWING		WHERE USED: AFB TITLE: ENVELOPE DRAWING TURRET HEAD	
SCALE: B NTS		CAD P/N: TH5311-ENV	SHEET 1 OF 1
DWG. NO: TH5311-ENV		REV. 2	



DANIELS MANUFACTURING CORP.
ORLANDO, FLORIDA
CAGE 11851