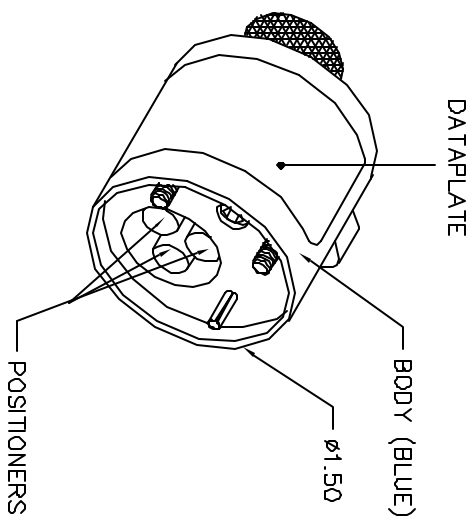


HARTING CONTACTS	COLOR CODE	24	22	20	18	16	14	12	WIRE
6121	RED	6	6	7					
6105			6	6	7				
6104				6	7	8			
6102					6	7	7	8	
6107	BLUE								
6220		6	6	7					
6205			6	6	7				
6204				6	7	8			
6202					6	7	7	8	
6207									

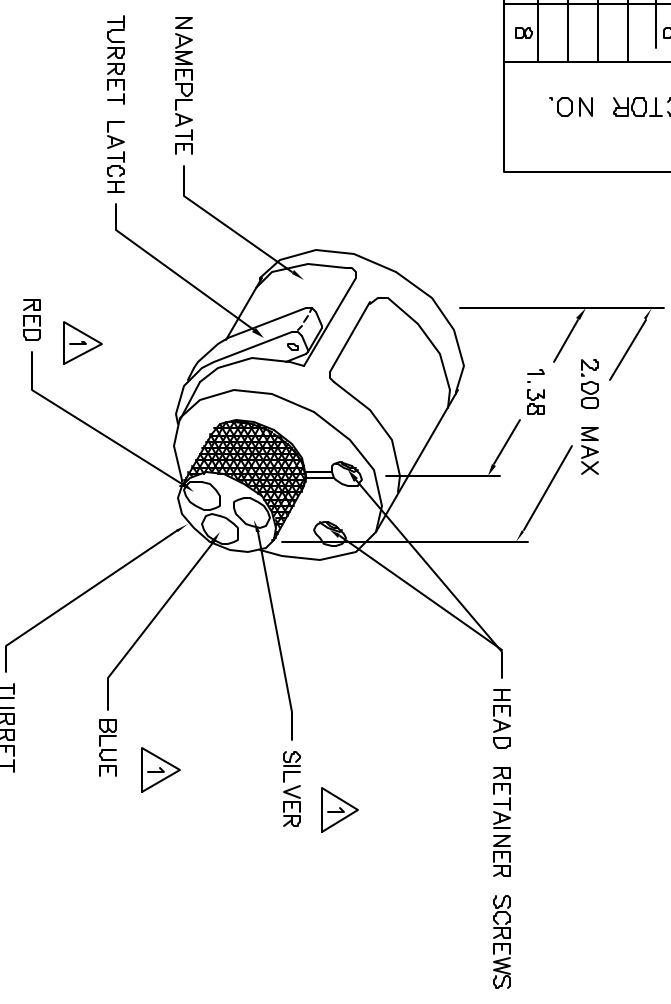
0933000



POSITIONER COLOR	HOLE DIMENSIONS	ADDITIONAL FEATURES
RED	\varnothing .101 ∇ .84 MIN.	\sqsubset \varnothing .182 ∇ .099
BLUE	\varnothing .185 ∇ .584	
SILVER		

HOLE AND COUNTERBORE DEPTHS ARE MEASURED FROM TOP OF POSITIONER INSERTS.

SELECTOR NO.	8	7	7	7	7	7	7	7	7



RESTRICTED & CONFIDENTIAL
 DANIELS MANUFACTURING CORP. NOT TO BE REPRODUCED OR USED FOR ANY OTHER PURPOSE EXCEPT AS AUTHORIZED IN WRITING BY DANIELS MANUFACTURING. MUST BE RETURNED TO DANIELS MANUFACTURING CORP. ON COMPLETION OF ORDER OR OTHER PURPOSE FOR WHICH SENT.

DO NOT SCALE DRAWING

**UNCONTROLLED DOCUMENT
 WILL NOT BE UPDATED**

REV	REV. NUMBER	DESCRIPTION	BY	DATE	APP'D	DATE
1		ORIGINAL RELEASE		12-21-94		12-21-94

ITEM	PART NO.	QTY.	DESCRIPTION/REMARKS
1	TH531-ENV		ENVELOPE DRAWING TURRET HEAD

DANIELS MANUFACTURING CORP.
 ORLANDO, FLORIDA
 CASE 17851

TITLE: ENVELOPE DRAWING
 TURRET HEAD

SIZE: B
 SCALE: NTS
 P/M: TH531-ENV

DATE: 12-21-94
 DATE: 12-21-94

DATE: 12-21-94
 DATE: 12-21-94

DATE: 12-21-94
 DATE: 12-21-94