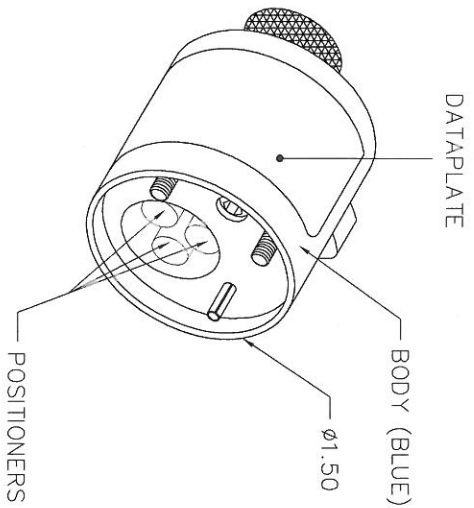


REVISIONS				
REV. S/N.	E.C.O. NUMBER	DESCRIPTION	BY DATE	APP'D DATE
2		REVISED DATAPLATE.	AMM 4-10-98	KRR 4-10-98

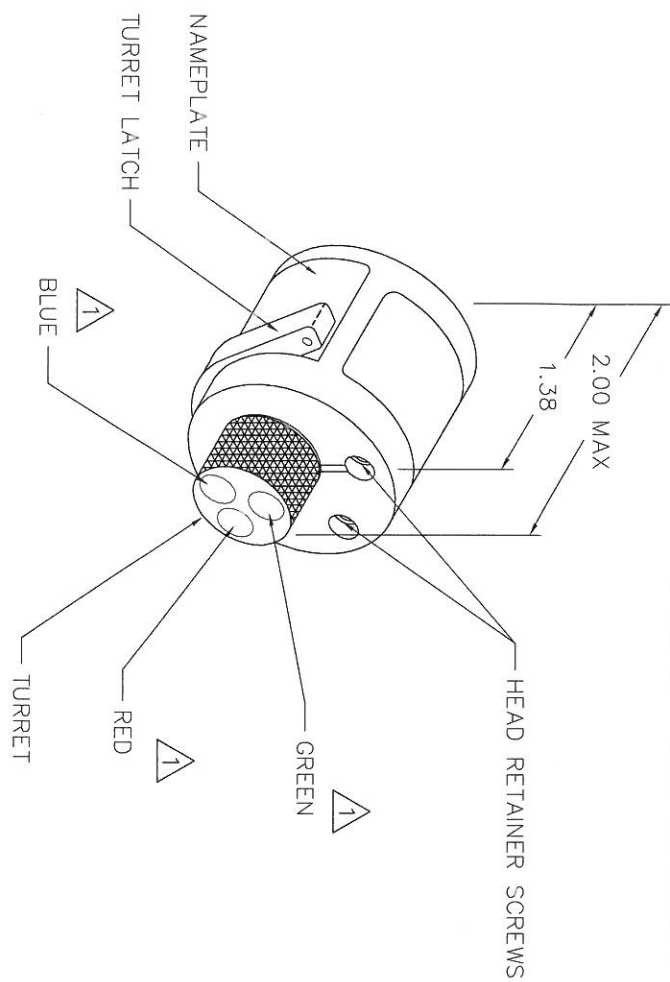
**UNCONTROLLED DOCUMENT
WILL NOT BE UPDATED**
DIMENSIONS IN INCHES - UNLESS OTHERWISE SPECIFIED

CONXALL CONTACTS	COLOR CODE	24	22	20	18	16	14	12	WIRE SIZE
586-SG	587-PG	2	3	4					SELECTOR NUMBER
586-SLG	587-PLG	RED							
680-SG	681-PG		2	3	4				
680-SMG	681-PMG	GREEN							
480-RSG	481-PG				5	6			
484-RSG	485-PG	BLUE				5	6	7	8



POSITIONER COLOR	HOLE DIMENSIONS	ADDITIONAL FEATURES
RED	Ø.082 ±.472	
GREEN	Ø.104 ±.840 MIN.	└┐ Ø.130 ±.021
BLUE	Ø.161 ±.559	

* HOLE AND COUNTERBORE DEPTHS ARE MEASURED FROM TOP OF POSITIONER INSERTS.



⚠ RANDOM ORDER OF ROTATION IS ACCEPTABLE.

RESTRICTED & CONFIDENTIAL		CONFIDENTIAL PROPERTY OF DANIELS MANUFACTURING CORP. NOT TO BE DISCLOSED TO OTHERS, REPRODUCED OR USED FOR ANY OTHER PURPOSE, EXCEPT AS AUTHORIZED IN WRITING BY DANIELS MANUFACTURING CORP. ON COMPLETION OF ORDER OR OTHER PURPOSE FOR WHICH LENT.	
ITEM	PART NO.	QTY.	DESCRIPTION/REMARKS
DGN. A. MOO-YOUNG	DATE 1-10-98		
CHK'D. RRR	DATE 4-16-98		
APP'D.	DATE		
APP'D.	DATE		
NOTE: THIS DRAWING IS AN OUTLINE DRAWING OF THE RESPECTIVE DRAWING PART NUMBER INDICATED. ACTUAL DIMC PART NUMBER IS CAD PART NUMBER WITHOUT THE "-ENV" SUFFIX.		WHERE USED: AFS	CAD P/N: TH528-ENV
DO NOT SCALE DRAWING		SCALE: B	DWG. NO. TH528
		POSTING	SHEET 1 OF 1
			REV. 2

Daniel's Manufacturing Corp.
ORLANDO, FLORIDA
CAGE 11851

ENVELOPE DRAWING
TURRET HEAD