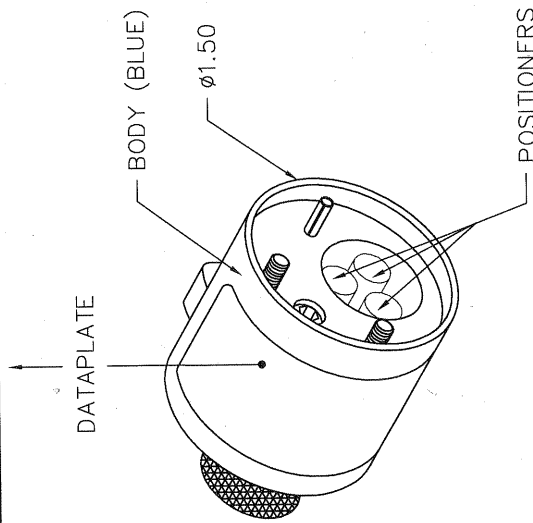
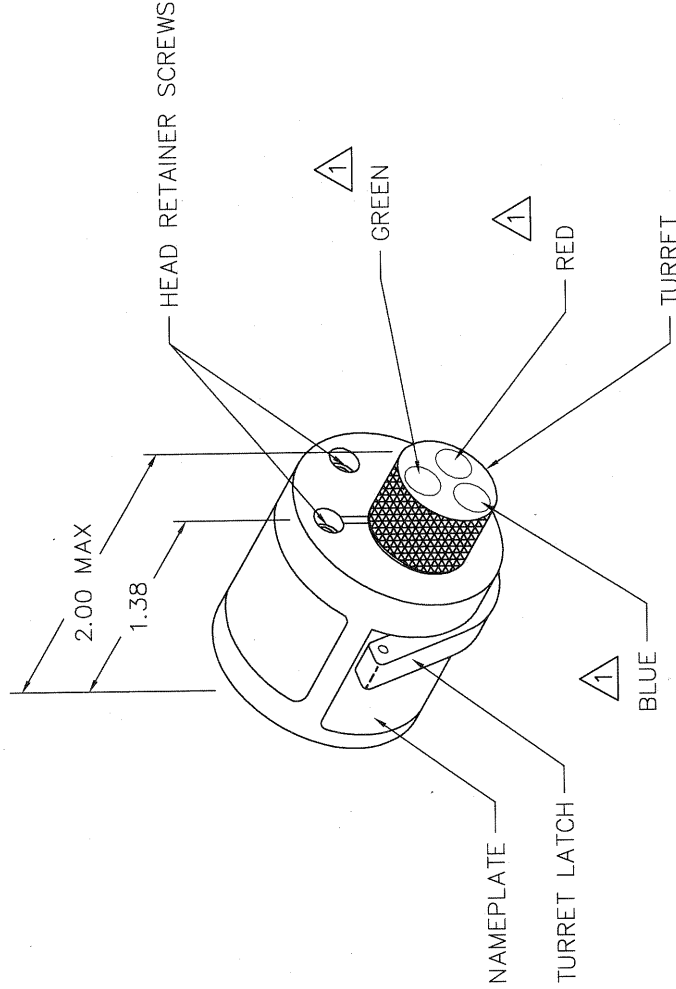


REVISIONS

REV. SYM.	F.C.O. NUMBER	DESCRIPTION	BY DATE	APP'D DATE
1		ORIGINAL RELEASE	TD 11-1-10	

DEUTSCH HAN CONTACTS	COLOR CODE	26	24	22	20	18	16	WIRE SIZE	SELECTOR NO.
PS22191	RED	6	6	6					
PS22044			6	6	6				
PS22296				5	6	6			
PS22025				6	5	5	6		
PS22210	BLUE	6	6	6	6				
PS22043			6	6	6				
PS22298				5	6	6			
PS22027				6	6	6			
PS22190	GREEN	6	6	6	6				
PS22048			6	6	6				
PS22127				5	6	6			



△ 1 RANDOM ORDER OF ROTATION IS ACCEPTABLE.

POSITIONER COLOR	HOLE DIMENSIONS	ADDITIONAL FEATURES
RED	φ.067 ↓1.014	┌ φ.140 └ .520
GREEN	φ.136 ↓1.014	
BLUE	φ.116 ↓1.200	┌ φ.140 └ .550

* HOLE AND COUNTERBORE DEPTHS ARE MEASURED FROM TOP OF POSITIONER INSERTS.

ITEM	PART NO.	QTY.	DESCRIPTION/REMARKS
DRN: Jerry D'Alvord	DATE: 11-1-10		DANIELS MANUFACTURING CORP. ORLANDO, FLORIDA CAGE 11851
CHK'D:	DATE:		
APP'D:	DATE:		ENVELOPE DRAWING TURRET HEAD
APP'D:	DATE:		
WHERE USED: AFB			
SIZE	SCALE	CAD P/N	SHEET OF
B	NTS	TH527-ENV	1 1
POSTING	DWG. NO.	TH527-ENV	REV. 1

RESTRICTED & CONFIDENTIAL

CONFIDENTIAL PROPERTY OF DANIELS MANUFACTURING CORP. NOT TO BE DISCLOSED TO OTHERS, REPRODUCED OR USED FOR ANY OTHER PURPOSE, EXCEPT AS AUTHORIZED IN WRITING BY DANIELS MANUFACTURING. THIS DRAWING IS AN OUTLINE DRAWING OF THE RESPECTIVE INDUSTRY PART NUMBER. THIS DRAWING IS FOR INFORMATION PURPOSES ONLY. IT IS NOT TO BE USED FOR MANUFACTURING OR FOR ORDER WHICH LENT.

DO NOT SCALE DRAWING