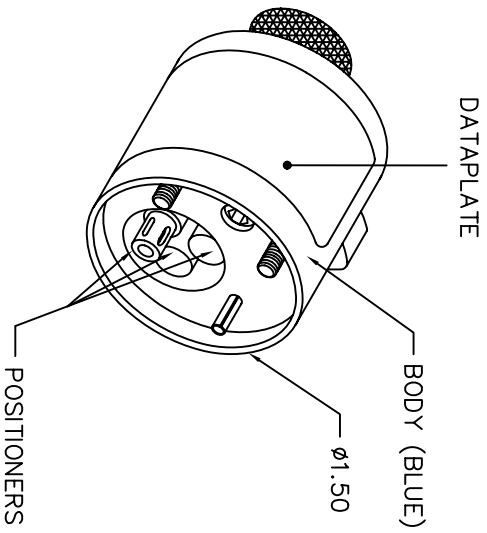
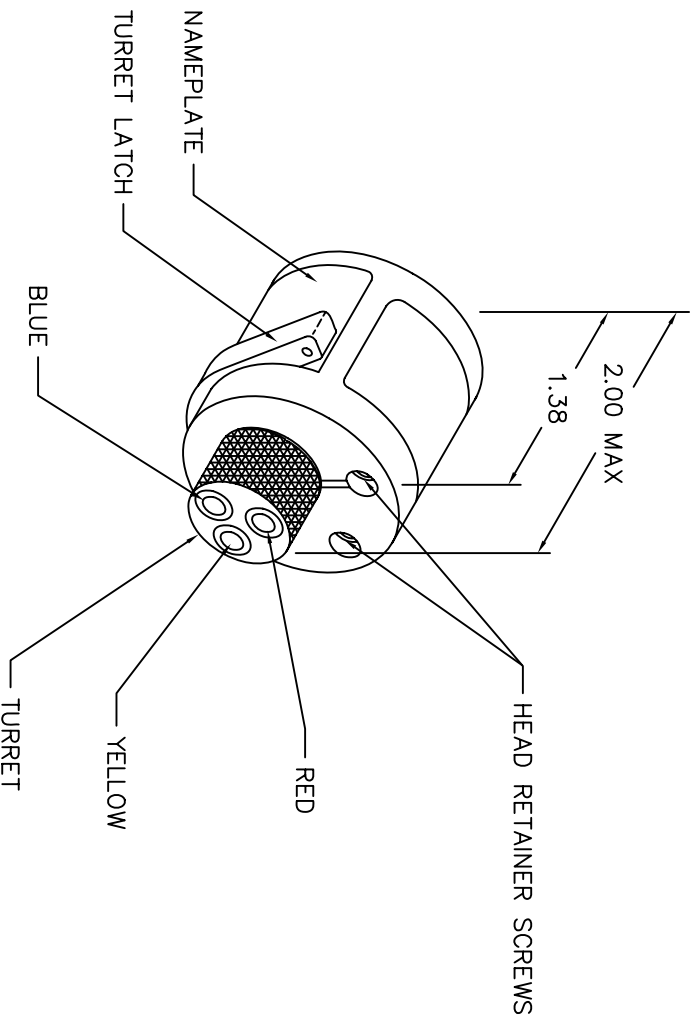


C44864
5106.001.845



POSITIONER COLOR	* HOLE DIMENSIONS	ADDITIONAL FEATURES
RED	±.081 ±1.14 MIN.	□ ø.106 ±.30
BLUE	±.125 ±.84 MIN.	□ ø.157 ±.150
YELLOW	±.173 ±.84 MIN.	□ ø.209 ±.150

* HOLE DEPTH DIMENSIONS ARE MEASURED FROM THE TOP OF THE POSITIONER INSERTS.



REVISIONS			
REV. STYL.	E.C.O. NUMBER	DESCRIPTION	BY DATE APP'D DATE
1		ORIGINAL RELEASE	JM 12/27/01 RJR 12/27/01

UNCONTROLLED DOCUMENT
WILL NOT BE UPDATED

RESTRICTED & CONFIDENTIAL
 CONFIDENTIAL PROPERTY OF DANIELS MANUFACTURING CORP. NOT TO BE DISCLOSED TO OTHERS, REPRODUCED OR USED FOR ANY OTHER PURPOSE, EXCEPT AS AUTHORIZED IN WRITING BY DANIELS MANUFACTURING. MUST BE RETURNED TO DANIELS MANUFACTURING CORP. ON COMPLETION OF ORDER OR OTHER PURPOSE FOR WHICH LENT.

DO NOT SCALE DRAWING

ITEM	PART NO.	QTY.	DESCRIPTION/REMARKS
DRN. J. JOYCE	12/27/01		
CHK'D. RRR	12/27/01		
APP'D.	DATE		
APP'D.	DATE		

NOTE: THIS DRAWING IS AN OUTLINE DRAWING OF THE RESPECTIVE INDICATED PART INCLUDING PART NUMBER IS DRAWING NUMBER WITHOUT THE "-ENV" SUFFIX.

WHERE USED:

SIZE	SCALE	CAD P/N	SHEET	OF
B	NTS	TH520S-ENV	1	1

TITILE: TURRET HEAD ENVELOPE DRAWING

DANIELS MANUFACTURING CORP.
ORLANDO, FLORIDA
CASE 11851

DWG. NO. TH520S-ENV
REV. 1