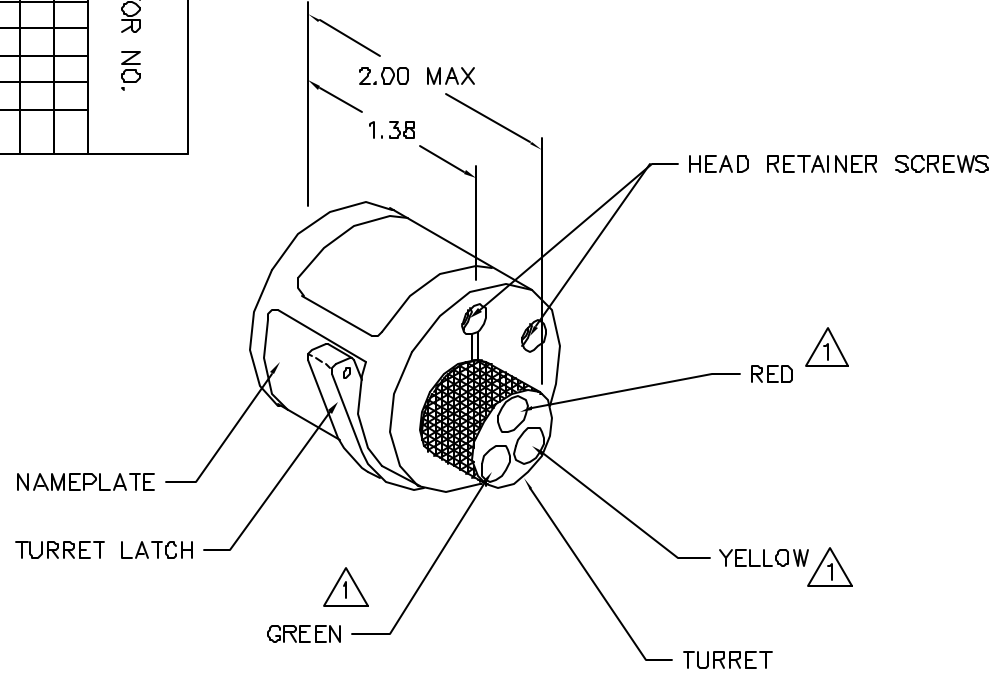
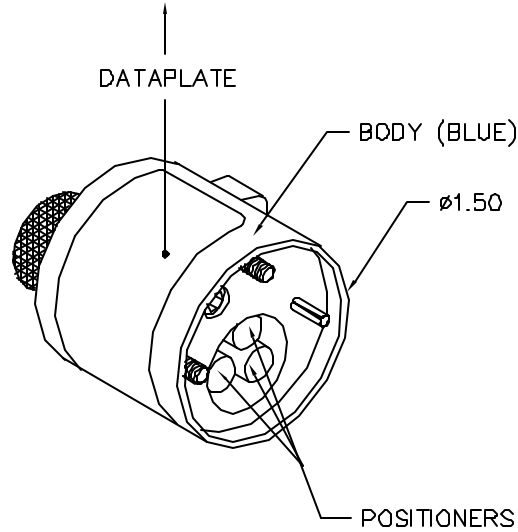


AMP	COLOR	14	18X2	16	18	20	22	24	26	28	30	32	WIRE
201555	RED										1	1	SELECTOR NO.
201611 201334 202410 204189								3	2	2			
201578 201330 204188						3	2	1					
202507	YEL			5	4								
200336 204274				5	4								
202725		5	5										
201570	GRN			5	4								
200681 201591 200333 201589				5	4								
202726		5	5										
201645		5											

REVISIONS				
REV. SYM.	E.C.D. NUMBER	DESCRIPTION	BY DATE	APP'D DATE
1		ORIGINAL RELEASE	AMM 1-28-00	RRR 1-28-00


**UNCONTROLLED DOCUMENT  
WILL NOT BE UPDATED**



**1** RANDOM ORDER OF ROTATION IS ACCEPTABLE.

POSITIONER COLOR	HOLE DIMENSIONS	ADDITIONAL FEATURES
RED	$\phi .156$ $\nabla .810$	
YELLOW	$\phi .156$ $\nabla .846$	
GREEN	$\phi .078$ $\nabla .669$	$\sqsupset \phi .156$ $\nabla .564$

HOLE DEPTH DIMENSIONS ARE MEASURED FROM THE TOP OF THE POSITIONER INSERTS.

<b>RESTRICTED &amp; CONFIDENTIAL</b>		ITEM	PART NO.	QTY.	DESCRIPTION /REMARKS
<small>CONFIDENTIAL PROPERTY OF DANIELS MANUFACTURING CORP. NOT TO BE DISCLOSED TO OTHERS, REPRODUCED OR USED FOR ANY OTHER PURPOSE, EXCEPT AS AUTHORIZED IN WRITING BY DANIELS MANUFACTURING. MUST BE RETURNED TO DANIELS MANUFACTURING CORP. ON COMPLETION OF ORDER OR OTHER PURPOSE FOR WHICH LENT.</small>		DRN	A. MOO-YOUNG	DATE	1-28-00
		CHK'D.	RRR	DATE	1-28-00
		APP'D.		DATE	
		APP'D.		DATE	
		 DANIELS MANUFACTURING CORP. ORLANDO, FLORIDA CAGE 11851			
		<b>TITLE</b> ENVELOPE DRAWING TURRET HEAD			
		WHERE USED: AFD			
		SIZE	SCALE	CAD P/N	SHEET
		B	NTS	TH5D2-ENV	1
		POSTING	P/N	TH502-ENV	REV.
					1

DO NOT SCALE DRAWING