

DATAPLATE

3X POSITIONER INSERTS



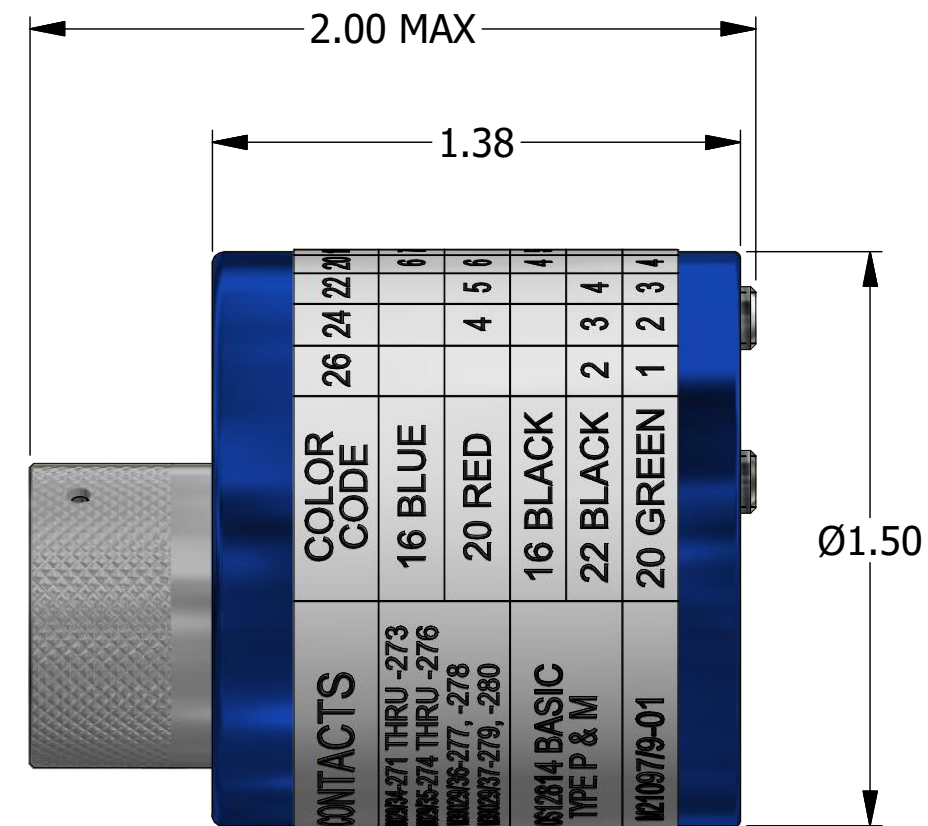
TURRET LATCH

RANDOM ORDER OF ROTATION IS ACCEPTABLE FOR POSITONER INSERTS

| REVISIONS |         |                   |       |            |          |            |
|-----------|---------|-------------------|-------|------------|----------|------------|
| REV       | ECO NO. | DESCRIPTION       | BY    | DATE       | APP'D BY | DATE       |
| 1         |         | ORIGINAL RELEASE  | AAM   | 10/25/1999 | RRR      | 10/25/1999 |
| 2         | 23573   | UPDATED & REDRAWN | TonyD | 2/20/2015  |          |            |
| 3         | 25000   | DATAPLATE UPDATED | TonyD | 5/6/2020   |          |            |

| CONTACTS   | COLOR CODE           | 26 | 24 | 22 | 20 | 18 | 16 | WIRE SIZE    |
|--|----------------------|----|----|----|----|----|----|--------------|
| M39029/34-271 THRU -273<br>M39029/35-274 THRU -276 | 16 BLUE              |    |    |    | 6  | 7  | 7  | SELECTOR No. |
| M39029/36-277, -278<br>M39029/37-279, -280         | 20 RED               |    | 4  | 5  | 6  |    |    |              |
| OS12814 BASIC TYPE P & M                           | 16 BLACK<br>22 BLACK |    |    |    | 4  | 5  | 6  |              |
| M21097/9-01  | 20 GREEN             | 1  | 2  | 3  | 4  |    |    |              |

**UNCONTROLLED DOCUMENT  
WILL NOT BE UPDATED**  
DIMENSIONS IN INCHES - UNLESS OTHERWISE SPECIFIED



| INSERT COLOR | HOLE DIMENSIONS | ADDITIONAL FEATURES |
|--------------|-----------------|---------------------|
| BLUE/RED     | Ø.106<br>▽.492  | └┘Ø.136<br>▽.181    |
| GREEN        | Ø.067<br>▽.182  |                     |
| BLACK        | Ø.093<br>▽.590  | └┘Ø.129<br>▽.329    |

| MATERIAL   | ITEM                        | PART NO.                | QTY. | DESCRIPTION / REMARKS  |
|--|-----------------------------|-------------------------|------|--|
| N/A  | DRN. A. MOO-YOUNG<br>CHK'D. | DATE 10/25/1999<br>DATE |      | DANIELS MANUFACTURING CORP.<br>ORLANDO, FLORIDA<br>CAGE 11851  |
| RESTRICTED & CONFIDENTIAL<br>CONFIDENTIAL PROPERTY OF DANIELS MANUFACTURING CORP. NOT TO BE DISCLOSED TO OTHERS. REPRODUCTION OR USED FOR ANY OTHER PURPOSE EXCEPT AS AUTHORIZED IN WRITING BY DANIELS MANUFACTURING. MUST BE RETURNED TO DANIELS MANUFACTURING CORP. ON COMPLETION OF ORDER OR PURPOSES FOR WHICH LENT. | HEAT TREAT                  | N/A                     |      | TITLE<br>TURRET HEAD (M22520/1-03)<br>ENVELOPE DRAWING   |
| CREATED FROM AN INVENTOR MODEL.<br>CHANGES MUST BE REFLECTED IN THE 3D PART  | FINISH                      | N/A                     |      | WHERE USED: AF8  |
| DO NOT SCALE DRAWING   |                             |                         |      | NOTE:<br>THIS DRAWING IS AN OUTLINE DRAWING OF THE RESPECTIVE DMC PART NUMBER INDICATED. ACTUAL DMC PART NUMBER IS CAD PART NUMBER WITHOUT THE "-ENV" SUFFIX |
|  |                             |                         |      | SIZE B SCALE 2:1 CAD P/N TH4-ENV SHEET 1 OF 1 DWG. NO. TH4 REV. 3  |