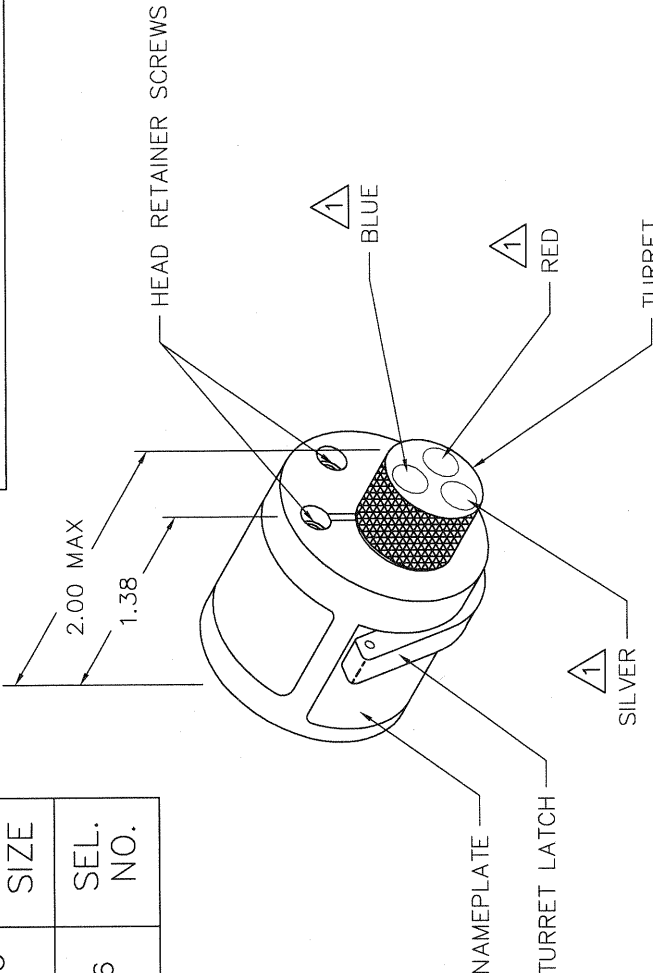
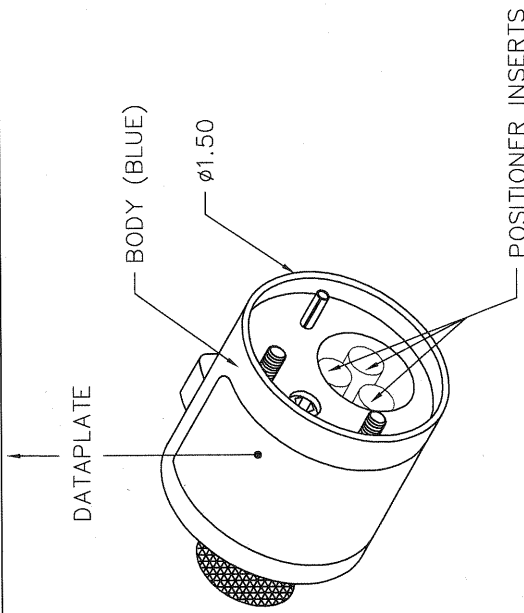


REVISIONS		DESCRIPTION		BY DATE		APPD DATE	
REV. SYM.	E.C.O. NUMBER	ORIGINAL RELEASE		TD		9-1-08	
1							

**UNCONTROLLED DOCUMENT
WILL NOT BE UPDATED**
DIMENSIONS IN INCHES - UNLESS OTHERWISE SPECIFIED

HYPERTAC CONTACTS	COLOR CODE	20	18	16	WIRE SIZE	SEL. NO.
HRC462	RED	5	6	6		
HRC463	BLUE					



△ RANDOM ORDER OF ROTATION IS ACCEPTABLE.

POSITIONER COLOR	HOLE DIMENSIONS	ADDITIONAL FEATURES
BLUE	∅.128 ∇.920	∟ ∅.140 ∇.300
RED	∅.128 ∇1.263	∟ ∅.140 ∇.300
SILVER		

* HOLE AND COUNTERBORE DEPTHS ARE MEASURED FROM TOP OF POSITIONER INSERTS.

ITEM	PART NO.	QTY.	DESCRIPTION/REMARKS
DRN	DATE		
CHK'D	DATE		
APP'D	DATE		
APP'D	DATE		
THIS DRAWING IS AN OUTLINE OF THE PART NUMBER INDICATED. ACTUAL DIM PART NUMBER IS DRAWING NUMBER WITHOUT THE "-ENV" SUFFIX.			
WHERE USED: AFB			
TITLE: ENVELOPE DRAWING TURRET HEAD			
SCALE: NTS			
POSTING:			
CAD P/N: TH496-ENV			
SHEET OF: 1			
DWG. NO.: TH496-ENV			
REV: 1			

RESTRICTED & CONFIDENTIAL
CONFIDENTIAL PROPERTY OF DANIELS MANUFACTURING CORP. NOT TO BE DISCLOSED TO OTHERS, REPRODUCED OR USED FOR ANY OTHER PURPOSE, EXCEPT AS AUTHORIZED IN WRITING BY DANIELS MANUFACTURING CORP. THIS DRAWING IS LOANED TO YOU BY DANIELS MANUFACTURING CORP. ON COMPLETION OF ORDER OR OTHER PURPOSE FOR WHICH LENT.

DO NOT SCALE DRAWING

