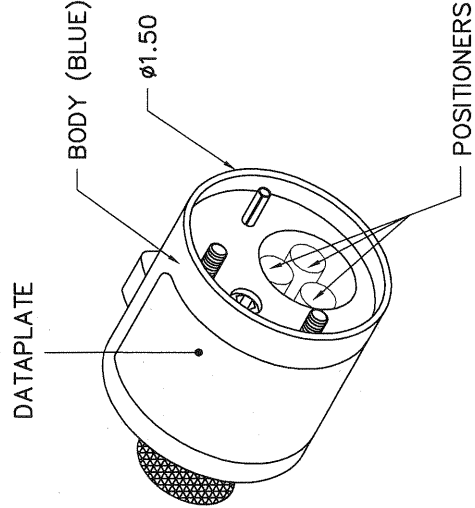


REV. SYM.	E.C.O. NUMBER	DESCRIPTION	BY DATE	APPRD. DATE
1		ORIGINAL RELEASE	MM 7-2-98	

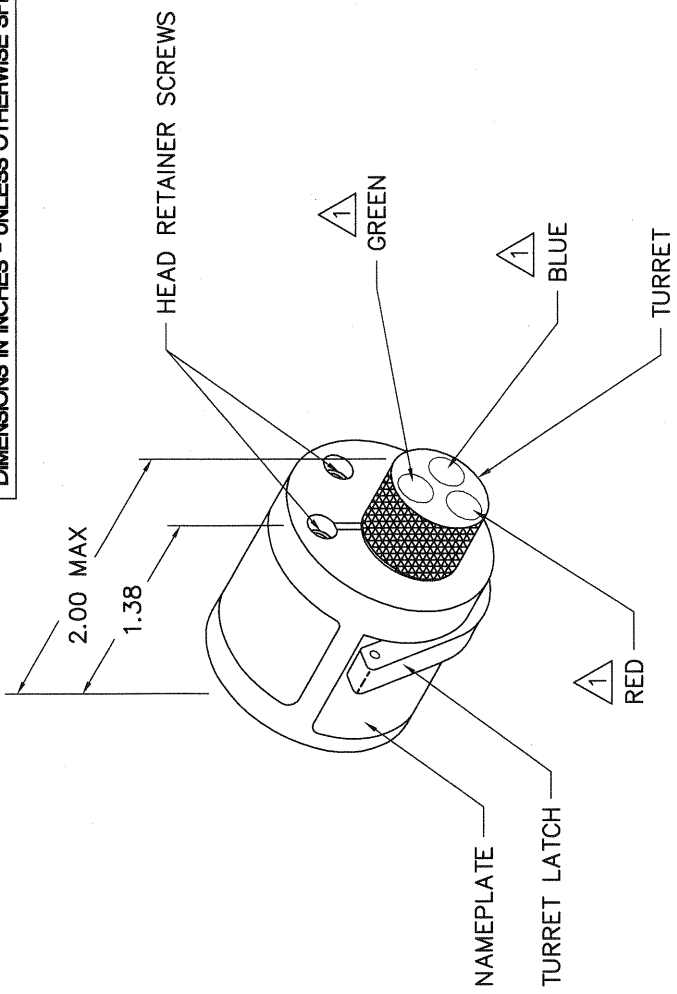
**UNCONTROLLED DOCUMENT  
WILL NOT BE UPDATED**  
DIMENSIONS IN INCHES - UNLESS OTHERWISE SPECIFIED

CONTACTS VIRGINIA PANEL	COLOR CODE	24	22	20	18	16	14	WIRE SIZE	SEL. NO.
610101114	RED			6	6	7			
610118103	BLUE			5	6	5	6		
610118104				5	6				
610118105	GREEN	5	6						
610111102				6	6	7			
610111103				6	6				
610111104		2	3						



POSITIONER COLOR	HOLE DIMENSIONS	ADDITIONAL FEATURES
BLUE	$\phi .106$ $\downarrow .299$	
GREEN	$\phi .147$ $\downarrow .658$	
RED	$\phi .177$ $\downarrow .724$	

NOTE: ALL DIMENSIONS ARE TAKEN FROM THE TOP OF THE POSITIONER INSERTS.



$\triangle 1$  RANDOM ORDER OF ROTATION IS ACCEPTABLE.

ITEM	PART NO.	QTY.	DESCRIPTION/REMARKS
DRW. A. 100-YOUNG	DATE 7-2-98		 DANIELS MANUFACTURING CORP. ORLANDO, FLORIDA CAGE 11851
CHK'D.	DATE		
APP'D.	DATE		
APP'D.	DATE		
TITLE: ENVELOPE DRAWING TURRET HEAD			
WHERE USED: AFB SIZE: B SCALE: NTS CAD P/N: TH494-ENV P/N: TH494-ENV REV. 1			
NOTE: THIS DRAWING IS AN OUTLINE DRAWING OF THE RESPECTIVE DMC PART NUMBER. THE PART NUMBER IS DRAWING PART NUMBER WITHOUT THE "-ENV" SUFFIX.			

**RESTRICTED & CONFIDENTIAL**  
CONFIDENTIAL PROPERTY OF DANIELS MANUFACTURING CORP. NOT TO BE DISCLOSED TO OTHERS, REPRODUCED OR USED FOR ANY OTHER PURPOSE, EXCEPT AS AUTHORIZED IN WRITING. MUST BE RETURNED TO DANIELS MANUFACTURING CORP. ON COMPLETION OF ORDER OR OTHER PURPOSE FOR WHICH LENT.