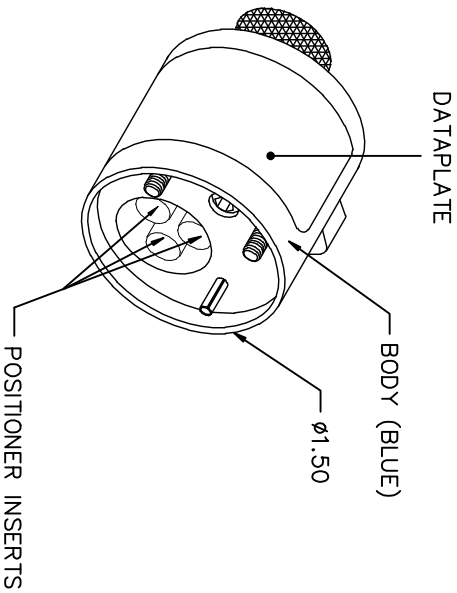
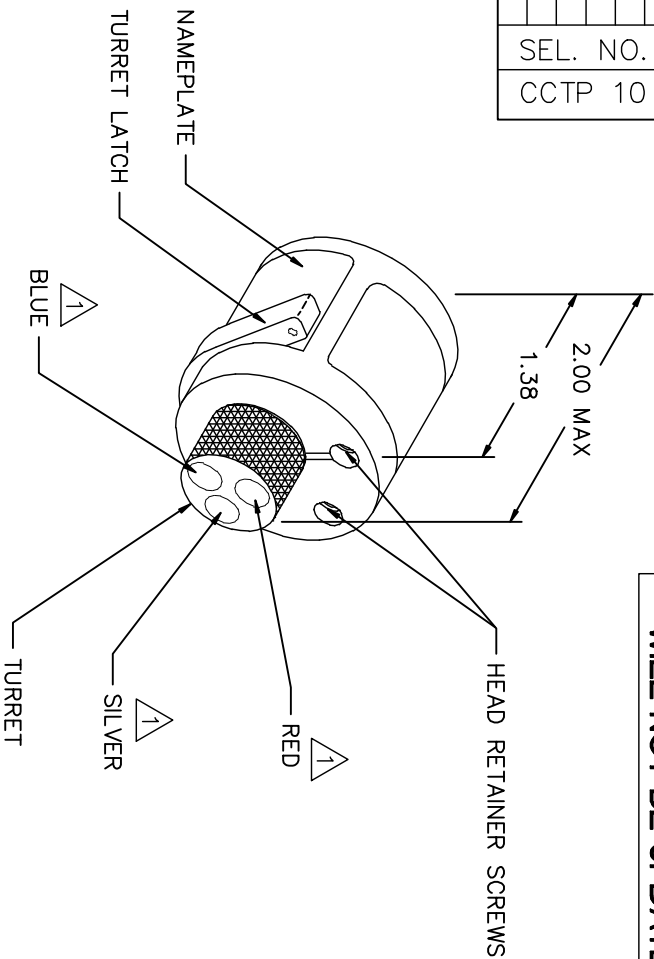


		CDMA-CDFA	0,14	0,25	0,34	0,5	0,75	1,0	1,5	2,5	WIRE	
		CDMD-CDFD	mm <sup>2</sup>	mm <sup>2</sup>	mm <sup>2</sup>	mm <sup>2</sup>	mm <sup>2</sup>	mm <sup>2</sup>	mm <sup>2</sup>	mm <sup>2</sup>	SIZE	
RED	BLUE		26	24	22	20	18	17	16	14	AWG	
PIN	SOCKET		5	5	6							
0,3	0,3					6						
0,5	0,5						6					
0,7	0,7							6				
1,0	1,0								6			
1,5	1,5									7		
2,5	2,5										7	
										SEL. NO.		
										CCTP	10	



POSITIONER COLOR	HOLE DIMENSIONS	ADDITIONAL FEATURES
RED	Ø.070 ±.84 MIN.	□ Ø.136 ±.221
BLUE	Ø.104 ±.618	□ Ø.147 ±.268
SILVER		

\* HOLE AND COUNTERBORE DEPTHS ARE MEASURED FROM TOP OF POSITIONER INSERTS.



1 RANDOM ORDER OF ROTATION IS ACCEPTABLE.

REVISIONS			
REV. NUMBER	E.C.O. DESCRIPTION	BY DATE	APP'D DATE
1	ORIGINAL RELEASE	AAM 2-19-01	RRR 01
2	DATA PLATE CHANGE	TD 2-9-10	

**UNCONTROLLED DOCUMENT  
WILL NOT BE UPDATED**

RESTRICTED & CONFIDENTIAL		CONFECTIONAL PROPERTY OF DANIELS MANUFACTURING CORP. NOT TO BE DISCLOSED TO OTHERS. REPRODUCED OR USED FOR ANY OTHER PURPOSE, EXCEPT AS AUTHORIZED BY DANIELS MANUFACTURING CORP. MUST BE RETURNED TO DANIELS MANUFACTURING CORP. ON COMPLETION OF ORDER OR OTHER PURPOSE FOR WHICH LENT.	
ITEM	PART NO.	QTY.	DESCRIPTION/REMARKS
DRN. A. MOO-YOUNG	DATE 2-19-01		
CHK'D. RRR	DATE 2-19-01		
APP'D.	DATE		
APP'D.	DATE		
NOTE: THIS DRAWING IS AN OUTLINE DRAWING OF THE RESPECTIVE PARTS. DIMENSIONS INDICATED ARE ACTUAL. DMC PART NUMBER WITHOUT THE "-ENV" SUFFIX.			
TITLE		WHERE USED: AFB	
ENVELOPE DRAWING		CAD P/N TH4931-ENV	
TURRET HEAD		SHEET 1 OF 1	
DO NOT SCALE DRAWING		DWG. NO. TH4931-ENV	
		REV. 2	

**DMC** DANIELS MANUFACTURING CORP.  
ORLANDO, FLORIDA  
CAGE 11851