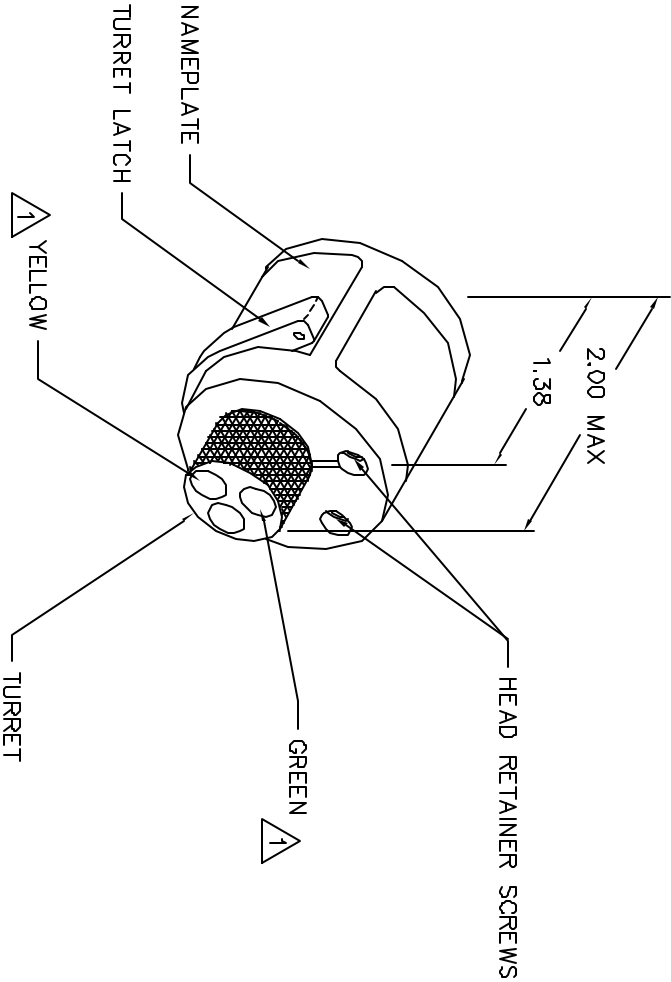
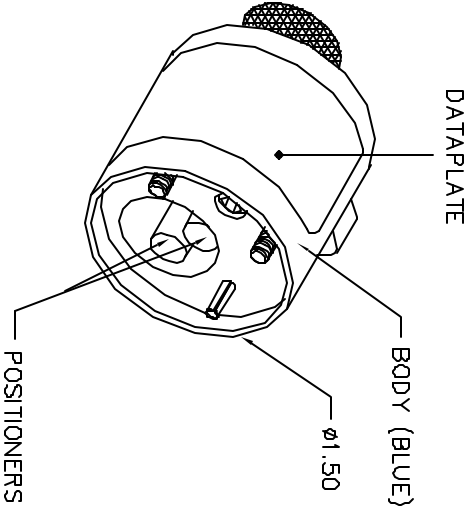


REVISIONS				
REV. SYM.	E.C.D. NUMBER	DESCRIPTION	BY DATE	APP'D DATE
1		ORIGINAL RELEASE	JML 5/21/02	RRR 5/21/02

**UNCONTROLLED DOCUMENT
WILL NOT BE UPDATED**

NFL 54115 Ref SOURIAU		Section mm ²		
Contact Ø 2	Couleur	0,38	0,60 0,93	1,34 1,91
62420	VERT		5	
62260				6
63350			5	
63355	JAUNE			6
				SELECTEUR No



▲ RANDOM ORDER OF ROTATION IS ACCEPTABLE.

POSITIONER COLOR	* HOLE DIMENSIONS	ADDITIONAL FEATURES
YELLOW	Ø.136 ↓.80 MIN.	
GREEN	Ø.156 ↓.53 MIN.	

* HOLE AND COUNTERBORE DEPTHS ARE MEASURED FROM TOP OF POSITIONER INSERTS.

RESTRICTED & CONFIDENTIAL		CONFIDENTIAL PROPERTY OF DANIELS MANUFACTURING CORP. NOT TO BE DISCLOSED TO OTHERS, REPRODUCED OR USED FOR ANY OTHER PURPOSE, EXCEPT AS AUTHORIZED BY DANIELS MANUFACTURING CORP. ON COMPLETION OF ORDER OR OTHER PURPOSE FOR WHICH INT.	
ITEM	PART NO.	QTY.	DESCRIPTION/REMARKS
DRN. J. JOYCE	DATE 8/21/02		
DRN. RRR	DATE 8/21/02		
APFD	DATE		
APFD	DATE		
TITLE Daniel's Manufacturing Corp. TURRET HEAD ENVELOPE DRAWING ORLANDO, FLORIDA CAGE 11851			
WHERE USED: AFB		CAD P/N	SHEET 1 of 1
SIZE B	SCALE NTS	TH473-ENV	
POSTING		P/N TH473-ENV	REV. 1

DO NOT SCALE DRAWING