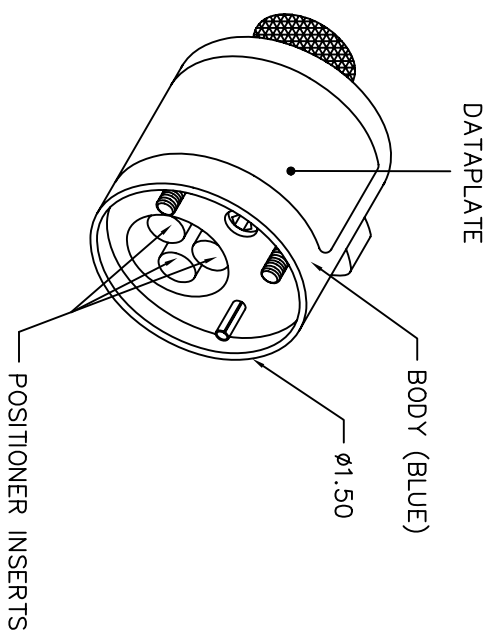


REVISIONS				
REV. STYL.	E.C.O. NUMBER	DESCRIPTION	BY EG	APP'D DATE
1		ORIGINAL RELEASE	9/30/05	9/30/05

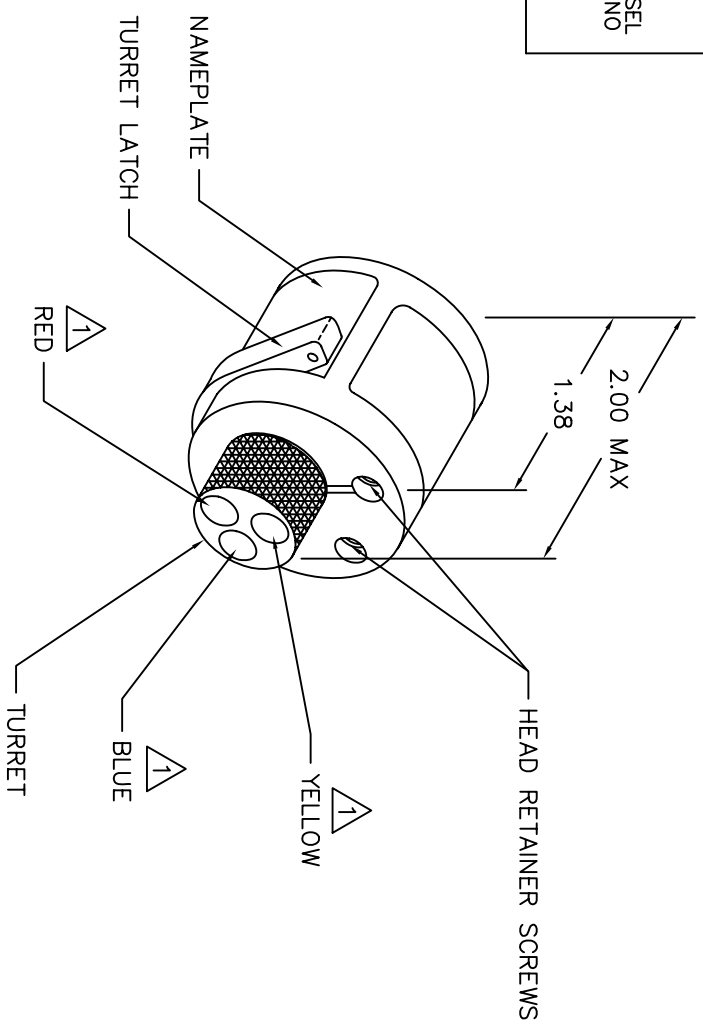
**UNCONTROLLED DOCUMENT
WILL NOT BE UPDATED**

CONTACTS BICC-VERO	COLOR CODE	16	18	20	22	24	26	28	WIRE SIZE
T3P24MC1L	RED					2	1	1	
T3P20MC1L	BLUE			4	4				
T3P20FC1L									
T2P16MC1L	YELLOW	6	6	5					
T3P16FC1L									



POSITIONER COLOR	HOLE DIMENSIONS	ADDITIONAL FEATURES
RED	Ø.082 ±.729	□ Ø.144 ±.407
BLUE	Ø.082 ±.711	□ Ø.140 ±.417
YELLOW	Ø.082 ±.788	□ Ø.140 ±.467

HOLE AND COUNTERBORE DEPTHS ARE MEASURED FROM TOP OF POSITIONER INSERTS.



1 RANDOM ORDER OF ROTATION IS ACCEPTABLE.

RESTRICTED & CONFIDENTIAL
 CONFIDENTIAL PROPERTY OF DANIELS MANUFACTURING CORP. MUST NOT BE DISCLOSED OR REPRODUCED WITHOUT THE WRITTEN PERMISSION OF DANIELS MANUFACTURING CORP. OR USED FOR ANY OTHER PURPOSE EXCEPT AS AUTHORIZED IN WRITING BY DANIELS MANUFACTURING. MUST BE RETURNED TO DANIELS MANUFACTURING CORP. ON COMPLETION OF ORDER OR OTHER PURPOSE FOR WHICH LENT.

DO NOT SCALE DRAWING

ITEM	PART NO.	QTY.	DESCRIPTION/REMARKS
DRWL. J. JOYCE	9/20/05		
CHK'D. RRR	9/20/05		
APP'D.	DATE		
APP'D.	DATE		
NOTE: THIS DRAWING IS AN OUTLINE DRAWING OF THE RESPECTIVE DIM. PART NUMBER INDICATED. THIS DRAWING IS NOT A PART NUMBER IS DRAWING NUMBER WITHOUT THE "ENV" SUFFIX.			
TITLE		WHERE USED: AFB	
TURRET HEAD ENVELOPE DRAWING		CAD P/N TH464-ENV	
SIZE B		SCALE NTS	
POSTING		DWG. NO. TH464-ENV	
SHEET OF 1		REV. 1	

Daniel's Manufacturing Corp.
 ORLANDO, FLORIDA
 CASE 11851