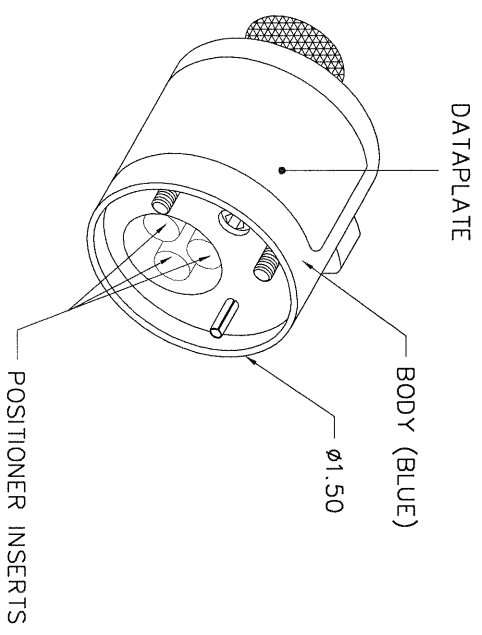


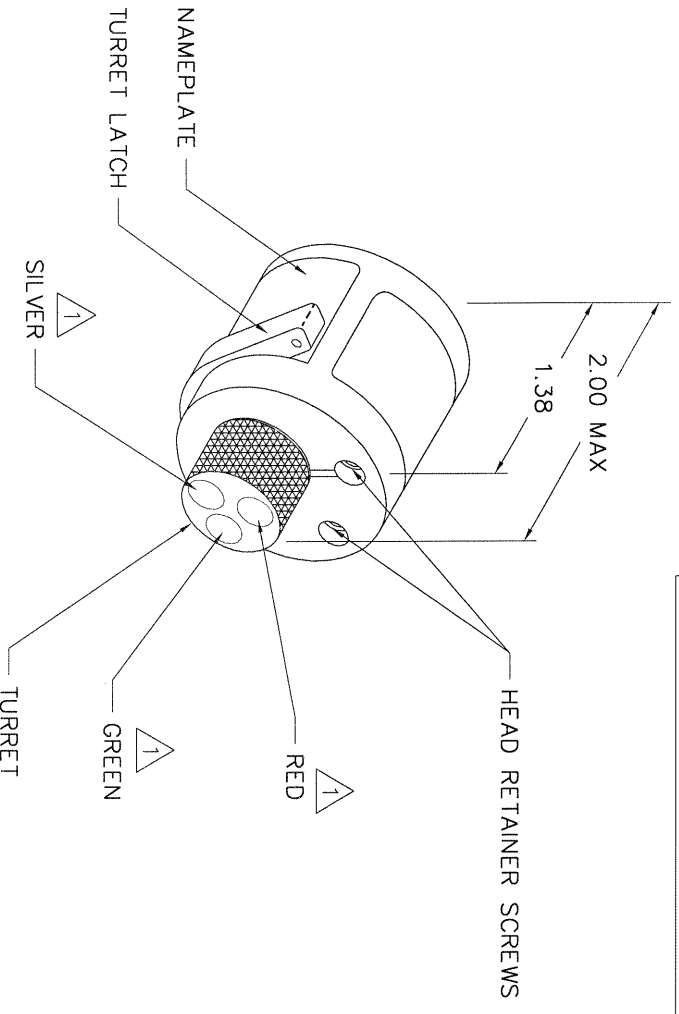
REVISIONS				
REV. SYM.	E.C.O. NUMBER	DESCRIPTION	BY DATE	APP'D DATE
1		ORIGINAL RELEASE	AAM 2-5-02	RRR 2-5-02

**UNCONTROLLED DOCUMENT  
WILL NOT BE UPDATED**

CONTACTS	COLOR CODE	26	24	22	20	WIRE SIZE
BURNDY "HYTIP"	20 RED	1	2	3	4	SEL. NO.
020-0009-000		3	3	4		
019-0039-000	GREEN			4		



POSITIONER COLOR	HOLE DIMENSIONS	ADDITIONAL FEATURES
RED	Ø.067 ±.182	
GREEN	Ø.050 ±.84 MIN.	└┐ Ø.089 ±.302



1 RANDOM ORDER OF ROTATION IS ACCEPTABLE.

**RESTRICTED & CONFIDENTIAL**  
 CONFIDENTIAL PROPERTY OF DANIELS MANUFACTURING CORP. NOT TO BE DISCLOSED TO OTHERS, REPRODUCED OR TRANSMITTED IN ANY FORM OR BY ANY MEANS, WITHOUT THE EXPRESS WRITTEN PERMISSION OF DANIELS MANUFACTURING CORP. ON COMPLETION OF ORDER OR OTHER PURPOSE FOR WHICH LENT.

ITEM	PART NO.	QTY.	DESCRIPTION/REMARKS
DEN. A. MOO-YOUNG	DATE 2-5-02		
CHK'D. RRR	DATE 2-5-02		
APP'D.	DATE		
NOTE:	THIS DRAWING IS AN OUTLINE DRAWING OF THE RESPECTIVE DMC PART NUMBER INDICATED. ACTUAL DMC PART NUMBER IS DRAWING THE "-ENV" SUFFIX.		
WHERE USED: AFB		CAD P/N	SHEET 1 OF 1
TITLE: ENVELOPE DRAWING TURRET HEAD		TH458-ENV	REV. 1
DO NOT SCALE DRAWING		TH458-ENV	REV. 1

\* HOLE AND COUNTERBORE DEPTHS ARE MEASURED FROM TOP OF POSITIONER INSERTS.