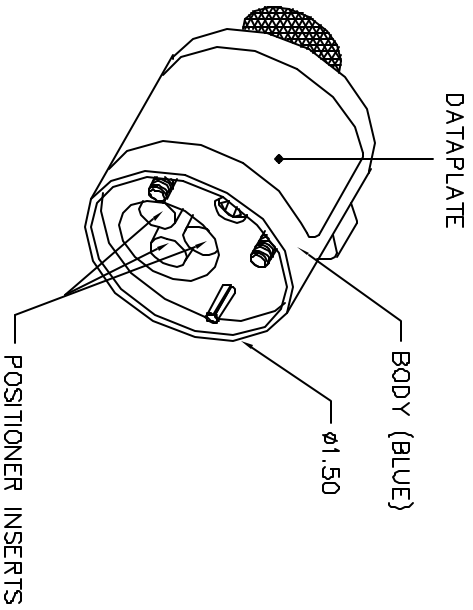
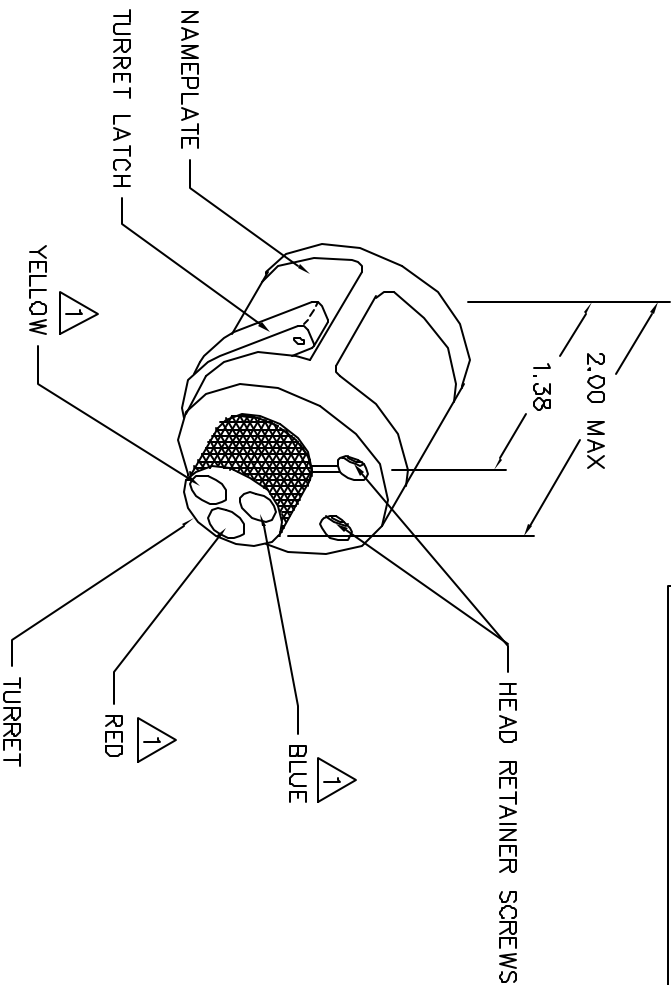


CONTACTS	COLOR CODE	12	14	16	18	20	22	24	26	WIRE SIZE
BURNDY										
YHMM20-2DB8	RED					7	6	5		
YHMM22-2DB8							7	6	5	
YHMM16-5DB8	BLUE			7	7		6			
YHMM12-2DB8	YELLOW	8	8							
										SELECTOR NO.



POSITIONER COLOR	HOLE DIMENSIONS	ADDITIONAL FEATURES
RED	Ø.098 ±.355	□ Ø.113 ±.030
BLUE	Ø.098 ±.365	□ Ø.113 ±.050
YELLOW	Ø.111 ±.84 MIN.	□ Ø.209 ±.099

* HOLE AND COUNTERBORE DEPTHS ARE MEASURED FROM TOP OF POSITIONER INSERTS.



1 RANDOM ORDER OF ROTATION IS ACCEPTABLE.

REVISIONS			
REV. SYM.	E.C.D. NUMBER	DESCRIPTION	BY DATE
1		ORIGINAL RELEASE	BY DATE

**UNCONTROLLED DOCUMENT
WILL NOT BE UPDATED**

RESTRICTED & CONFIDENTIAL		CONFERENTIAL PROPERTY OF DANIEL'S MANUFACTURING CORP. NOT TO BE DISCLOSED TO OTHERS, REPRODUCED OR USED FOR ANY OTHER PURPOSE, EXCEPT AS AUTHORIZED IN WRITING BY DANIEL'S MANUFACTURING. MUST BE RETURNED TO DANIEL'S MANUFACTURING OR OTHER PURPOSE FOR WHICH INTENT.	
ITEM	PART NO.	QTY.	DESCRIPTION/REMARKS
DRG. NO. 100-10408	DATE 8-11-92		
DRG'S	DATE 8-11-92		
APFD'S	DATE		
APFD'S	DATE		
APFD'S	DATE		
TITLE		ENVELOPE DRAWING TURRET HEAD	
SIZE	SCALE	CAD P/N	SHEET 1 OF 1
B	NTS	TH441-1-ENV	
POSTING		P/N TH441-1-ENV	REV. 1

DO NOT SCALE DRAWING