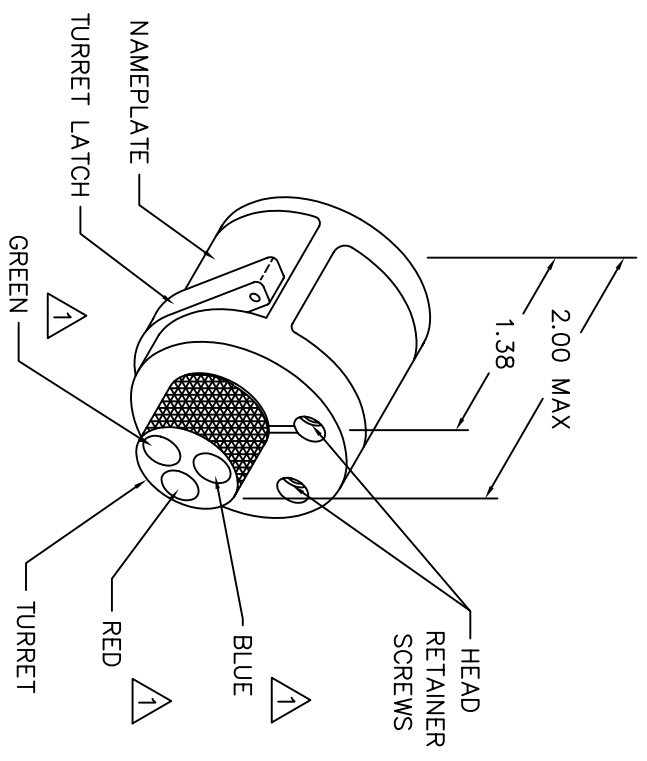
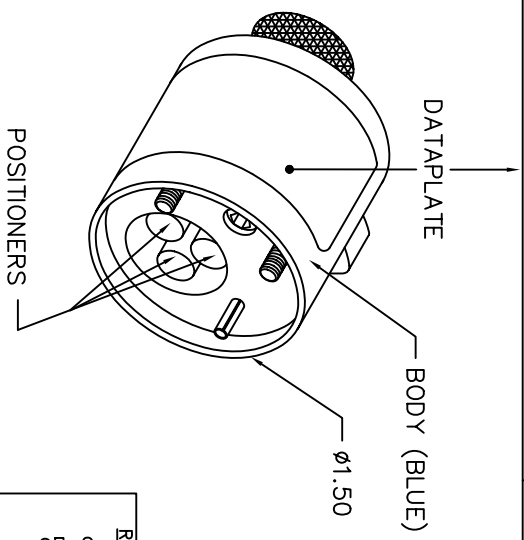


REVISIONS			
REV.	E.C.O. NUMBER	DESCRIPTION	BY DATE
1		REDRAWN	AAM 4-24-00

**UNCONTROLLED DOCUMENT  
WILL NOT BE UPDATED**

WINCHESTER CONTACTS	COLOR CODE	14	16	18	20	22	24	26	28	30	WIRE SIZE
1014P&S	RED	6	5	5							
1016P&S		6	6	5							
51018S,1018P&S			6	6	5						
51020S,1020P&S					5	4	4				
1024P&S							5	5	4	4	3
51026S,1026P&S									5	4	4
51014S	BLUE	7	6	5							
51016S			6	6	5						
51022S						5	5	4			
51024S							5	5	4		
4020P&S					4	3	2				
4024P&S	GREEN										
4028P&S						4	4	3			
54024S							5	4	3	2	
54028S								4	3	2	
8260											
8261											
		RG196/U OR SEL. NO. 8 RG178/U									

POSITIONER COLOR	* HOLE DIMENSIONS	ADDITIONAL FEATURES
RED	φ.106 ±.492	┘ φ1.36 ±.181
BLUE	φ.040 ±.304	┘ φ.076 ±.284
GREEN	φ.128 ±.586	



▲ RANDOM ORDER OF ROTATION IS ACCEPTABLE.

**RESTRICTED & CONFIDENTIAL**  
 CONFIDENTIAL PROPERTY OF DANIELS MANUFACTURING CORP. NOT TO BE REPRODUCED OR USED FOR ANY OTHER PURPOSE EXCEPT AS AUTHORIZED IN WRITING BY DANIELS MANUFACTURING. MUST BE RETURNED TO DANIELS MANUFACTURING CORP. ON COMPLETION OF ORDER OR OTHER PURPOSE FOR WHICH LENT.

DO NOT SCALE DRAWING

ITEM	PART NO.	QTY.	DESCRIPTION/REMARKS
DRW. DH	1-23-89		
CHK'D. TS	1-24-89		
APP'D. AAM	1-24-89		

THIS DRAWING IS AN OUTLINE DRAWING OF THE RESPECTIVE DIMENSIONED PART NUMBER INDICATED ON THIS DRAWING PART NUMBER WITHOUT THE "-ENV. SUFFIX."	NOTE: WHERE USED: AFB
TITLE: ENVELOPE DRAWING TURRET HEAD	SIZE: B NTS
SCALE: 1/1	CAD P/N: TH428-ENV
POSTING: 1	DWG. NO.: TH428-ENV
REV. 1	SHEET 1 OF 1

\* HOLE DEPTH DIMENSIONS ARE MEASURED FROM THE TOP OF THE POSITIONER INSERTS.

**DMM** DANIELS MANUFACTURING CORP.  
ORLANDO, FLORIDA  
CASE 11851