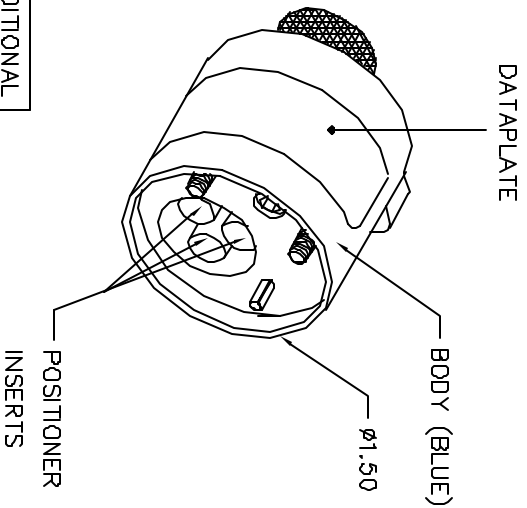


REVISIONS			
REV. STN.	ECO. NUMBER	DESCRIPTION	BY DATE APP'D DATE
1		ORIGINAL RELEASE	5-2-95 5-8-95

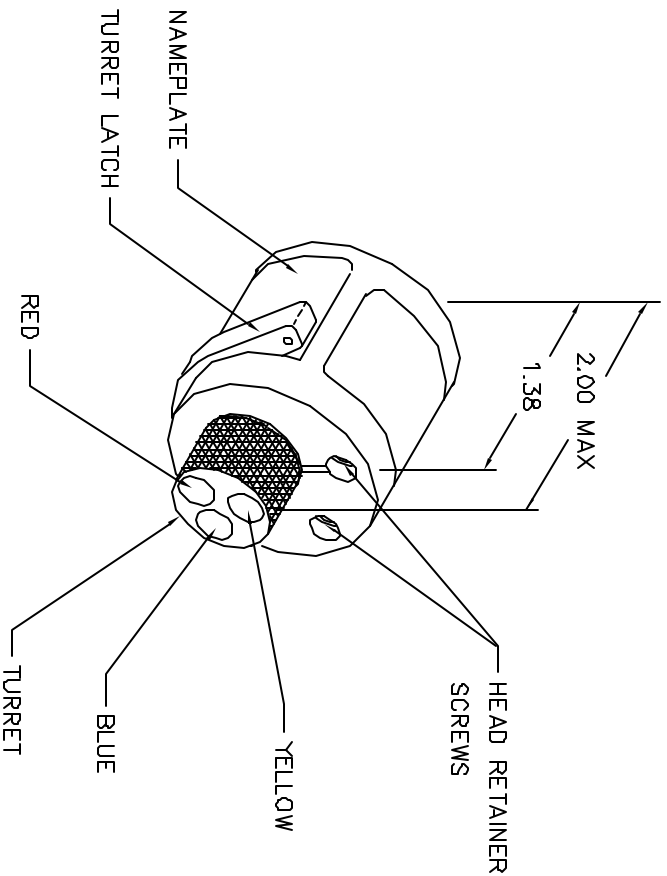
**UNCONTROLLED DOCUMENT  
WILL NOT BE UPDATED**

VEAM	COLOR CODE	12	14	16	18	20	WIRE SIZE
27964-26 SOC	RED	8	8	8	7		SELECTOR NO.
27914-26 PIN	RED						
27913 PIN	BLUE						
27963 SOC	YELLOW						



POSITIONER COLOR	HOLE DIMS. *	ADDITIONAL FEATURES
RED	ø.193 ↓.953	/
BLUE	ø.129 ↓.734	/
YELLOW	ø.136 ↓.932	/

\* HOLE DEPTHS ARE MEASURED FROM TOP OF POSITIONER INSERTS.



<b>RESTRICTED &amp; CONFIDENTIAL</b>		DATE		PART NO.		QTY.		DESCRIPTION/REMARKS	
CONFIDENTIAL PROPERTY OF DANIELS MANUFACTURING CORP. NOT TO BE REPRODUCED OR COPIED IN ANY MANNER WITHOUT THE WRITTEN PERMISSION OF DANIELS MANUFACTURING CORP. MUST BE RETURNED TO DANIELS MANUFACTURING CORP. ON COMPLETION OF ORDER OR OTHER PURPOSE FOR WHICH LENT.		TRN. DATE	A. NOD-YOUNG	8-4-88					
		CHRG. DATE	DE	8-88					
		APPR. DATE							
		APPR. DATE							
		TITLE		WHERE USED: A/R		SHEET OF		REV.	
		ENVELOPE DRAWING TURRET HEAD		TH426-ENV		1 OF 1		1	
		P/N TH426-ENV							
		DO NOT SCALE DRAWING							