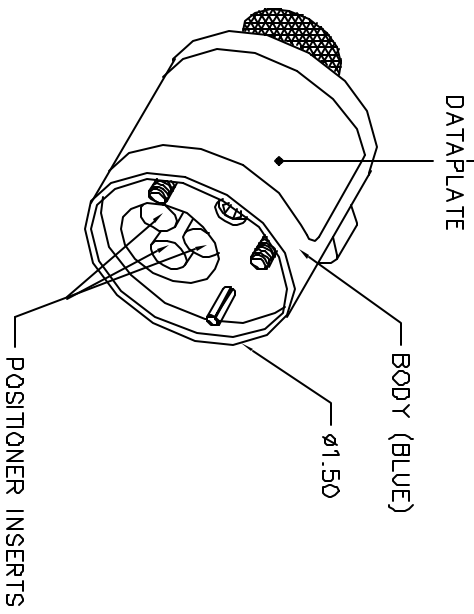


REVIEWS				
REV. SYM.	EC.O. NUMBER	DESCRIPTION	BY DATE	APPR. DATE
2		0833000-6204 WAS 0815000-6204	11-5-03	RRR 11-5-03

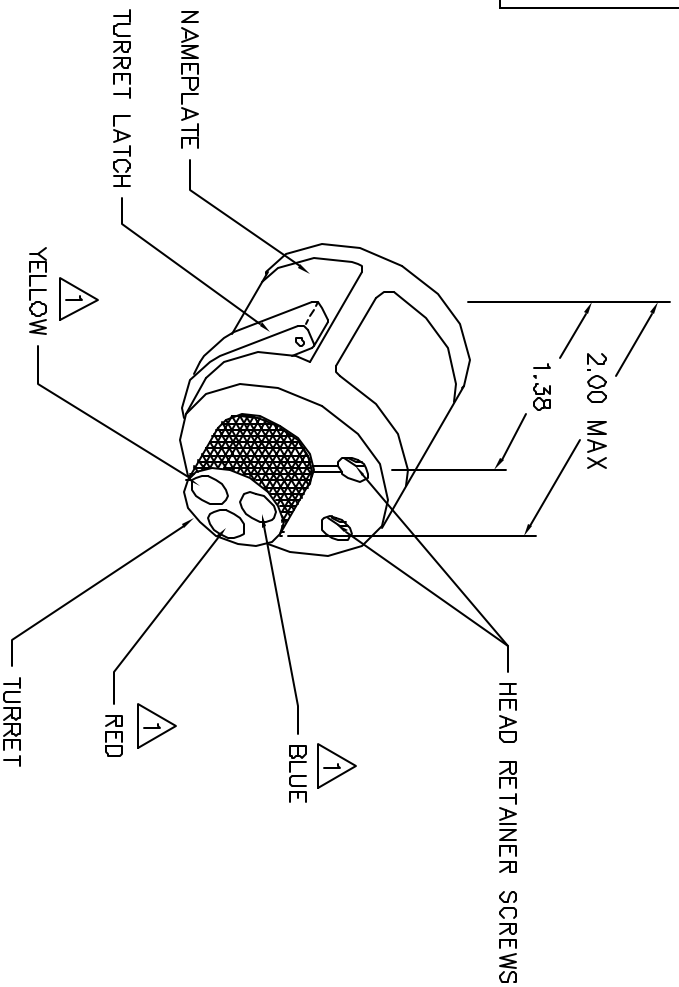
**UNCONTROLLED DOCUMENT
WILL NOT BE UPDATED**

CONTACTS		COLOR CODE	20	18	16	WIRE SIZE
LITTON-PIN	P 27913-T9	RED	6	6	7	
HARTING HAN 64P						
0915000-6101, 6102 PIN		BLUE		7	7	
HAN 64 S						
0915000-6201, 6202 SOC.				7	8	SELECTOR NUMBER
HARTING HAN 6E						
0933000-6204 SOC		YELLOW				
0933000-6104 PIN				7	8	



POSITIONER COLOR	HOLE DIMENSIONS	ADDITIONAL FEATURES
RED	ø.128 ±.812	
BLUE	ø.067 ±.820	└┐ ø.140 ±.698
YELLOW	ø.101 ±.771	└┐ ø.180 ±.664

HOLE AND COUNTERBORE DEPTHS ARE MEASURED FROM TOP OF POSITIONER INSERTS.



▲ 1 RANDOM ORDER OF ROTATION IS ACCEPTABLE.

RESTRICTED & CONFIDENTIAL		COMPENSIAL PROPERTY OF DANIELS MANUFACTURING CORP. NOT TO BE REPRODUCED OR USED FOR ANY OTHER PURPOSES EXCEPT AS AUTHORIZED IN WRITING BY DANIELS MANUFACTURING. MUST BE RETURNED TO DANIELS MANUFACTURING OR OTHER SUPPLIER FOR WHICH INT.	
ITEM	PART NO.	QTY.	DESCRIPTION/REMARKS
DRN. N. MDO-YOUNG	DATE 8-9-87		
GRKS. DE	DATE 8-9-87		
APRVS.	DATE		
APRVS.	DATE		
NOTES: THIS DRAWING IS AN OUTLINE DRAWING. PART NUMBERS INDICATED. ACTUAL DIM PART NUMBERS WITHOUT THE "-ENV" SUFFIX.		WHERE USED: AS4	
DO NOT SCALE DRAWING		CAD P/N TH414-ENV	
		SHEET 1 OF 1	
		REV. 2	

Daniel's Manufacturing Corp.
DANIELS MANUFACTURING CORP.
ORLANDO, FLORIDA
GAGE 11651

**ENVELOPE DRAWING
TURRET HEAD**