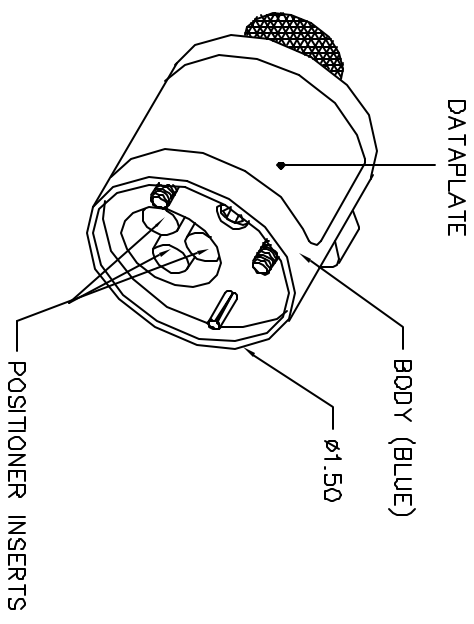


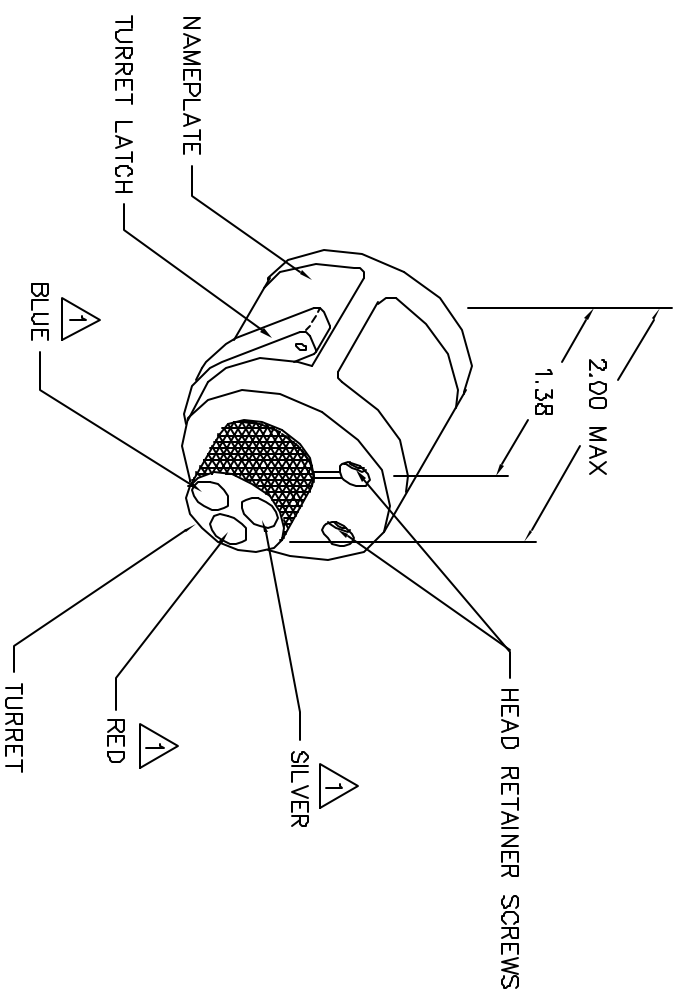
**SOURIAU 8400-2281  
BOTMIER 2 SHELL SIZE 2**

CONTACT	COLOR CODE	#16	1.5°	#14	FILE WIRE	SELECTOR
1 : 2	BLUE	6	6	7		
	RED	6	6	7		



POSITIONER COLOR	HOLE DIMENSIONS	ADDITIONAL FEATURES
BLUE	$\phi .125$ $\pm .84$ MIN	$\perp \phi .150$ $\pm .035$
RED	$\phi .161$ $\pm .882$	$\perp \phi .173$ $\pm .228$
SILVER		

HOLE AND COUNTERBORE DEPTHS ARE MEASURED FROM TOP OF POSITIONER INSERTS.

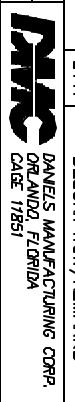


$\triangle 1$  RANDOM ORDER OF ROTATION IS ACCEPTABLE.

REVISIONS			
REV. NUMBER	DESCRIPTION	BY DATE	APP'D DATE
1	ORIGINAL RELEASE	12/2/98	12/98

**UNCONTROLLED DOCUMENT  
WILL NOT BE UPDATED**

<b>RESTRICTED &amp; CONFIDENTIAL</b>		CONFIDENTIAL PROPERTY OF DANIELS MANUFACTURING CORP. NOT TO BE DISCLOSED TO OTHERS, REPRODUCED OR TRANSMITTED IN ANY FORM OR BY ANY MEANS, WITHOUT THE WRITTEN PERMISSION OF DANIELS MANUFACTURING CORP. ON COMPLETION OF ORDER OR OTHER PURPOSE FOR WHICH INTENT.	
ITEM NO.	PART NO.	QTY.	DESCRIPTION/REMARKS
REV. DATE	DATE		
DRAWN BY	DATE		
CHECKED BY	DATE		
APPROVED BY	DATE		
NOTE: THIS DRAWING IS AN OUTLINE DRAWING OF THE INTERPRETIVE INDICATED ACTUAL DIMENSIONS PART NUMBER IS DRAWING NUMBER WITHOUT THE "-ENV" SUFFIX.		TITLE: TURRET HEAD ENVELOPE DRAWING WHERETO USE: AFB	
DO NOT SCALE DRAWING		DANC: NO. TH406-ENV	



SIZE	SCALE	DWG. P/N	SHEET OF
B	NTS	TH406-ENV	1
POSITION			REV. 1