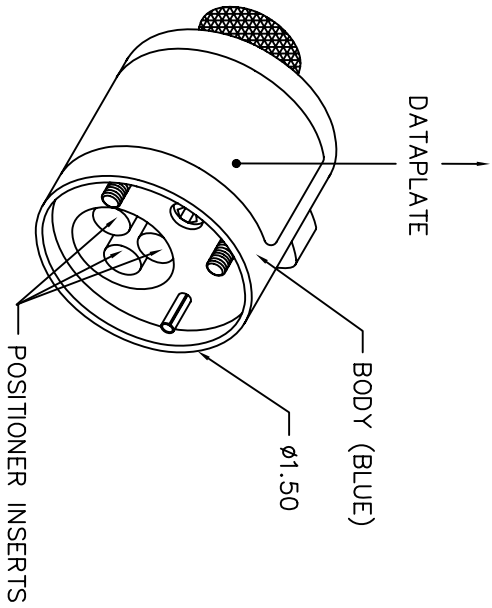




SOURIAU 8400-2282 BOTTER 4 SHELL SIZE 4

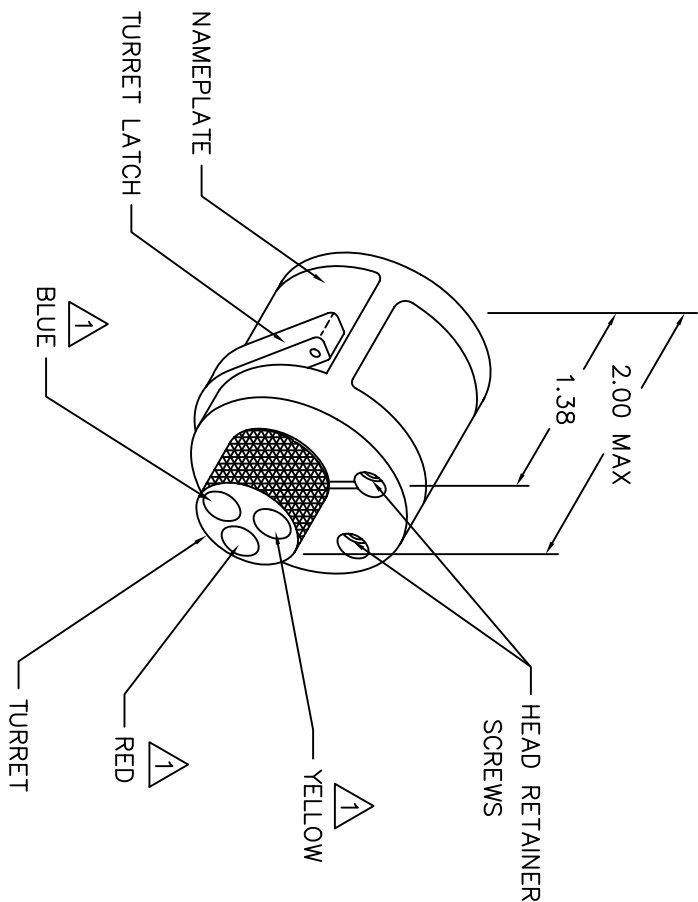
CONTACT	COLOR	CODE	0,5°	#20	0,75°	2,5°	#12	4°	FIL WIRE	SELECTOR
PILOTE	YELLOW	4	4	4						
R1, S2, T3, N	BLUE								8	8
	RED								8	8



POSITIONER COLOR	HOLE DIMENSIONS	ADDITIONAL FEATURES
YELLOW	ϕ .103 \pm .592	
BLUE	ϕ .150 \pm .674	\perp ϕ .185 \pm .611
RED	ϕ .182 \pm 1.017	\perp ϕ .221 \pm .332 ϕ .079 PIN dt \pm .997

* HOLE AND COUNTERBORE DEPTHS ARE MEASURED FROM TOP OF POSITIONER INSERTS.

REVISIONS			
REV	E.C.O NUMBER	DESCRIPTION	BY DATE
1		ORIGINAL RELEASE	BY MSS 12-2-86



1 RANDOM ORDER OF ROTATION IS ACCEPTABLE.

RESTRICTED & CONFIDENTIAL
 CONFIDENTIAL PROPERTY OF DANIELS MANUFACTURING CORP. NOT TO BE DISCLOSED TO OTHERS, REPRODUCED OR USED FOR ANY OTHER PURPOSE, EXCEPT AS AUTHORIZED IN WRITING BY DANIELS MANUFACTURING CORP. ON COMPLETION OF ORDER OR OTHER PURPOSE FOR WHICH LENT.

DO NOT SCALE DRAWING

ITEM	PART NO.	QTY.	DESCRIPTION/REMARKS
DRN.	BY DATE	CHK'D.	DATE
	BY MSS 12-2-86		12-2-86
APP'D.	DATE	APP'D.	DATE
AAW	12-2-86		

NOTE: THIS DRAWING IS AN OUTLINE DRAWING OF THE RESPECTIVE DRAWING OF THE RESPECTIVE PART NUMBER IS DRAWING NUMBER WITHOUT THE "-ENV" SUFFIX.

WHERE USED: AFB

TITLE: ENVELOPE DRAWING
TURRET HEAD

DANIELS MANUFACTURING CORP.
ORLANDO, FLORIDA
CASE 11851

SIZE	SCALE	CAD P/N	SHEET
B	NTS	TH4055-ENV	1
POSTING	DWG. NO.	TH4055-ENV	REV. 1