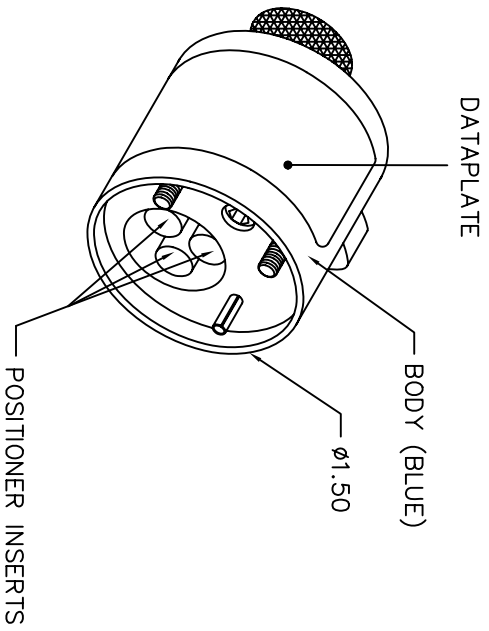
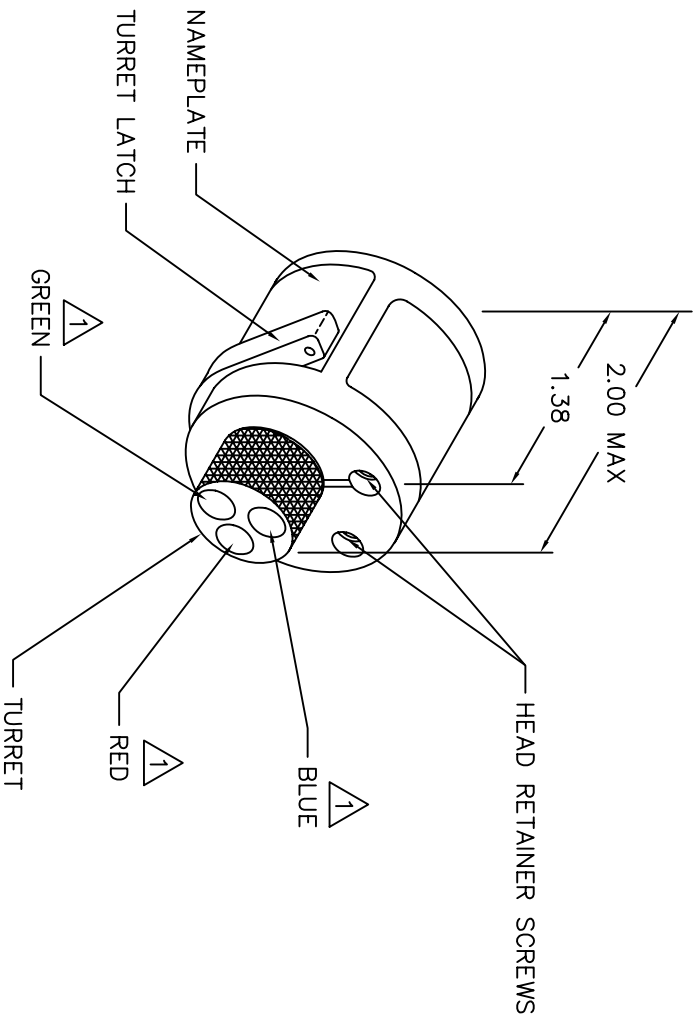


AMP "M" SERIES TYPE 2 CONTACTS	COLOR CODE	14	16	18	20	22	24	WIRE SIZE
STD	RED	7						SELECTOR NO.
			6	5	4			
					4	3	2	
LONG	BLUE							
		7						
			6	5	4			
INSULATION STD	GREEN							
					4	3	2	



POSITIONER COLOR	HOLE DIMENSIONS	ADDITIONAL FEATURES
RED	$\phi .078$ $\pm .654$	$\sqsubset \phi .156$ $\pm .514$
BLUE	$\phi .078$ $\pm .812$	$\sqsubset \phi .156$ $\pm .514$
GREEN	$\phi .078$ $\pm .764$	$\sqsubset \phi .156$ $\pm .624$

* HOLE AND COUNTERBORE DEPTHS ARE MEASURED FROM TOP OF POSITIONER INSERTS.



1 RANDOM ORDER OF ROTATION IS ACCEPTABLE.

**UNCONTROLLED DOCUMENT
WILL NOT BE UPDATED**

REVISIONS			
REV.	E.C.O. NUMBER	DESCRIPTION	BY DATE
2		REDRAWN	AAM 1-28-01

RESTRICTED & CONFIDENTIAL
 CONFIDENTIAL PROPERTY OF DANIELS MANUFACTURING CORP. NOT TO BE DISCLOSED TO OTHERS, REPRODUCED OR USED FOR ANY OTHER PURPOSE, EXCEPT AS AUTHORIZED IN WRITING BY DANIELS MANUFACTURING. MUST BE RETURNED TO DANIELS MANUFACTURING FOR REUSE OR DESTRUCTION OF OTHER PURPOSE FOR WHICH LENT.

DO NOT SCALE DRAWING

ITEM	PART NO.	QTY.	DESCRIPTION/REMARKS
DRWL	BY	DATE	
CHK'D	KR	DATE	
APP'D	AAM	DATE	
NOTE: THIS DRAWING IS AN OUTLINE DRAWING OF THE RESPECTIVE INDICATED PART. ACTUAL DIMS PART NUMBER IS DRAWING NUMBER WITHOUT THE "-ENV" SUFFIX.			
TITLE		WHERE USED: AFB	
ENVELOPE DRAWING		SIZE	CAD P/N
TURRET HEAD		SCALE	TH402-ENV
		POSTING	DMG. NO.
			TH402-ENV
		SHEET	1 OF 1
		REV	2

DMC
 DANIELS MANUFACTURING CORP.
 ORLANDO, FLORIDA
 CASE 11851