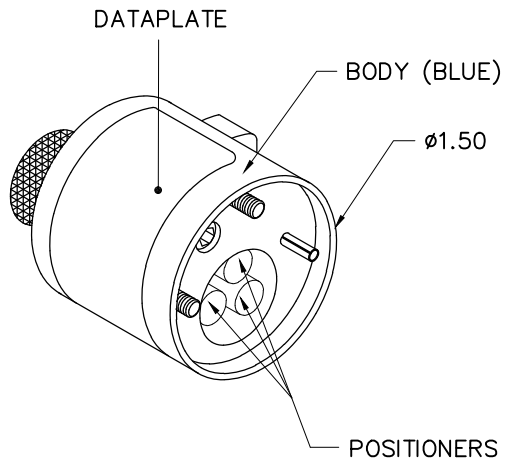
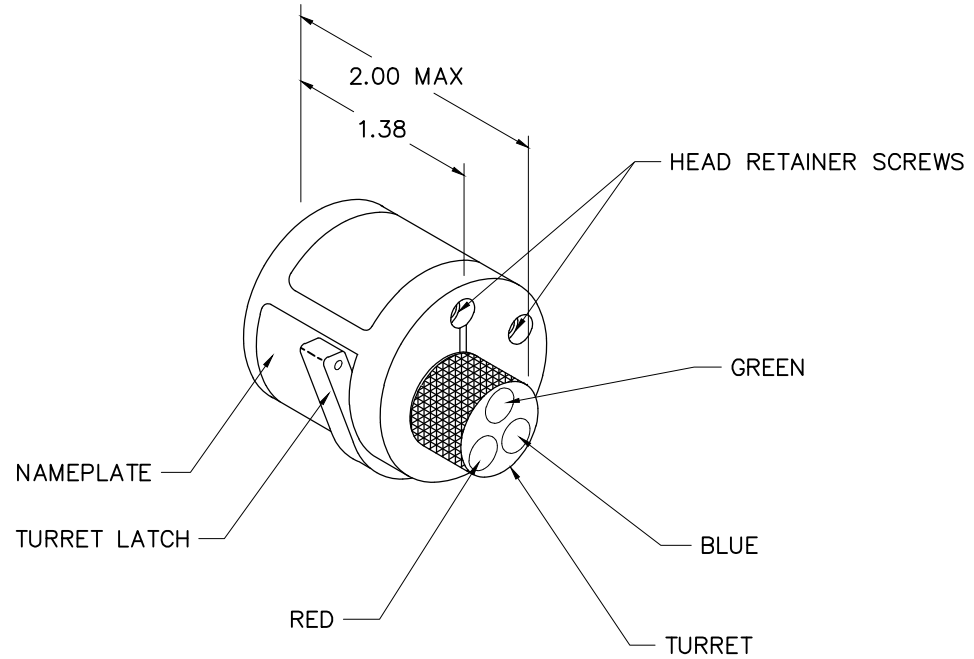



AMP "M" SERIES CONTACTS	COULEUR CODE	14	16	18	20	22	24	26	TAILLE FIL
STD	16-14	7							SELECTEUR
	16-16 20-16		6	5	4				
	16-20 20-20				4	3	2	2	
LONG	16-14	7							
	16-16 20-16		6	5	4				
	16-20 20-20				4	3	2	2	
ISOLANT STD	VERT	8	8	7	6	5	5	5	



POSITIONER COLOR	HOLE DIMENSIONS	ADDITIONAL FEATURES
RED	Ø.078 ▽.654	└┘ Ø.156 ▽.514
BLUE	Ø.078 ▽.812	└┘ Ø.156 ▽.514
GREEN	Ø.078 ▽.764	└┘ Ø.156 ▽.624

REVISIONS				
REV. SYM.	E.C.O. NUMBER	DESCRIPTION	BY DATE	APP'D DATE
1		ORIGINAL RELEASE	AAM 7-13-99	RRR 7-13-99



RESTRICTED & CONFIDENTIAL		ITEM	PART NO.	QTY.	DESCRIPTION/REMARKS
CONFIDENTIAL PROPERTY OF DANIELS MANUFACTURING CORP. NOT TO BE DISCLOSED TO OTHERS, REPRODUCED OR USED FOR ANY OTHER PURPOSE, EXCEPT AS AUTHORIZED IN WRITING BY DANIELS MANUFACTURING. MUST BE RETURNED TO DANIELS MANUFACTURING CORP. ON COMPLETION OF ORDER OR OTHER PURPOSE FOR WHICH LENT.		DRN. A. MOO-YOUNG	DATE 7-13-99	 DANIELS MANUFACTURING CORP. ORLANDO, FLORIDA CAGE 11851	TITLE ENVELOPE DRAWING TURRET HEAD
		CHK'D. RRR	DATE 7-13-99		
		APP'D.	DATE		
		APP'D.	DATE		
DO NOT SCALE DRAWING		NOTE: THIS DRAWING IS AN OUTLINE DRAWING OF THE RESPECTIVE DMC PART NUMBER INDICATED. ACTUAL DMC PART NUMBER IS DRAWING NUMBER WITHOUT THE "-ENV" SUFFIX.		WHERE USED: AFB	SIZE B SCALE NONE CAD P/N TH402-1-ENV SHEET 1 OF 1
				POSTING	DWG. NO. TH402-1-ENV REV. 1