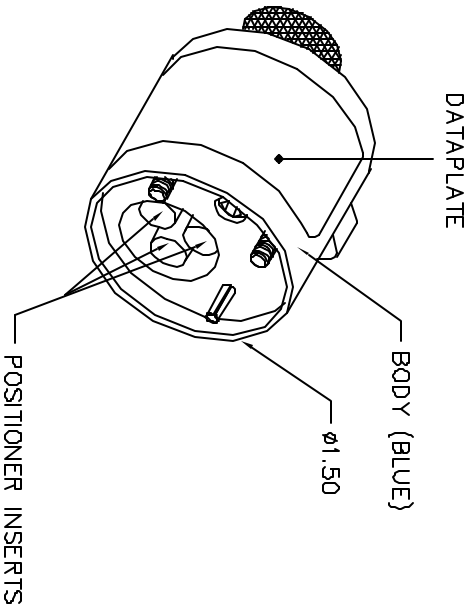
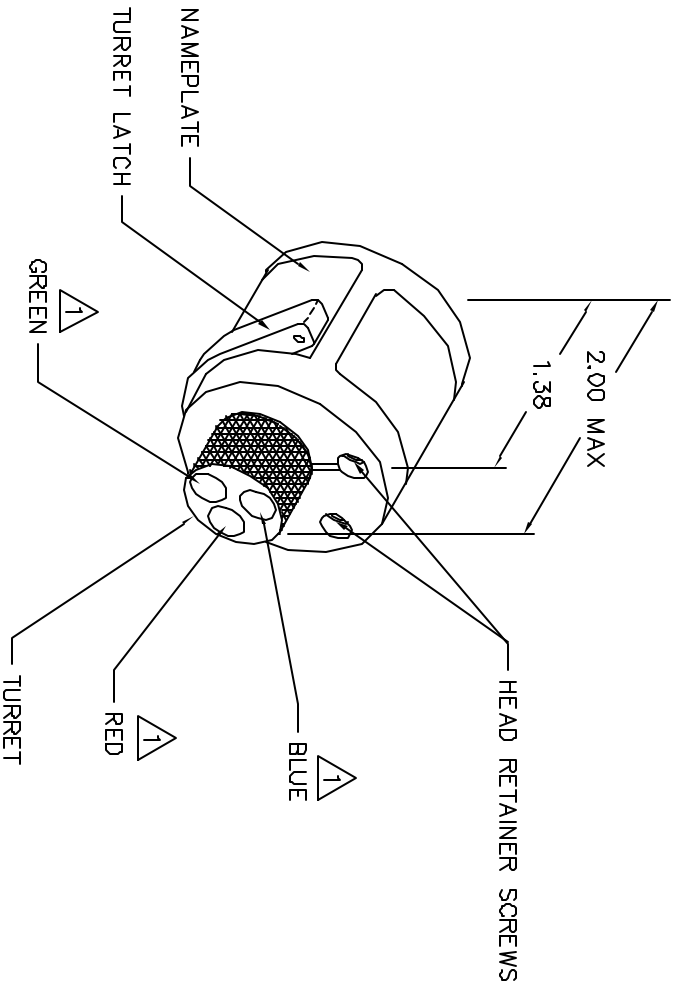


BENDIX 10-113239	COLOR CODE	20	18	16	14	12	WIRE SIZE
SHORT 15 P & S	RED	4	5	6			SELECTOR NO.
LONG -16P	BLUE	4	5	6			
LONG -16S	GREEN	4	5	6			
12 P & S					7	8	



POSITIONER COLOR	HOLE DIMENSIONS	ADDITIONAL FEATURES
RED	ø.136 ±.560	/
BLUE	ø.136 ±.760	/
GREEN	ø.203 ±.950	/

* HOLE AND COUNTERBORE DEPTHS ARE MEASURED FROM TOP OF POSITIONER INSERTS.



⚠ RANDOM ORDER OF ROTATION IS ACCEPTABLE.

REV. NO.		E.C.D. NUMBER		DESCRIPTION		BY DATE		APP'D DATE	
1				ORIGINAL RELEASE			11-5-02	RRR	11-5-02

**UNCONTROLLED DOCUMENT
WILL NOT BE UPDATED**

RESTRICTED & CONFIDENTIAL
 DANIELS MANUFACTURING CORP. NOT TO BE
 REPRODUCED OR TRANSMITTED IN ANY
 FORM OR BY ANY MEANS, ELECTRONIC
 OR MECHANICAL, INCLUDING PHOTOCOPYING,
 RECORDING, OR BY ANY INFORMATION
 STORAGE AND RETRIEVAL SYSTEM,
 WITHOUT PERMISSION IN WRITING
 FROM DANIELS MANUFACTURING
 CORPORATION. ALL RIGHTS RESERVED.
 DANIELS MANUFACTURING CORP. ON COMPLETION
 OF ORDER OR OTHER PURPOSE FOR
 WHICH INTENT.

ITEM	PART NO.	QTY.	DESCRIPTION/REMARKS
1	100-1048		ENVELOPE DRAWING TURRET HEAD

DATE	11-4-02	DATE	11-4-02
BY	RRR	BY	RRR
APPROVED		APPROVED	

SIZE	B	SCALE	1:1	DATE	11-4-02
POSTING		SCALE	NTS	DATE	
WHERE USED	ASB	CAD P/N	TH3-ENV	SHEET	1 OF 1
		P/N	TH3-ENV	TOTAL	1

DMC DANIELS MANUFACTURING CORP.
 ORLANDO, FLORIDA
 CASE 11851

TITLE
 ENVELOPE DRAWING
 TURRET HEAD

DO NOT SCALE DRAWING