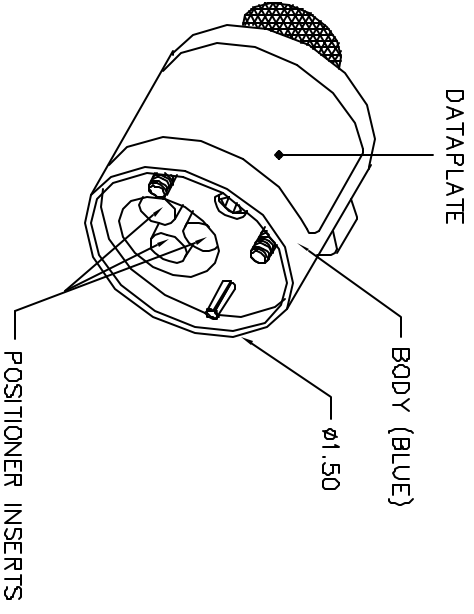


REVISIONS				
REV. NO.	E.C.D. NUMBER	DESCRIPTION	BY DATE	APP'D DATE
1		ORIGINAL RELEASE	JML 3/10/06	RSR 3/10/06

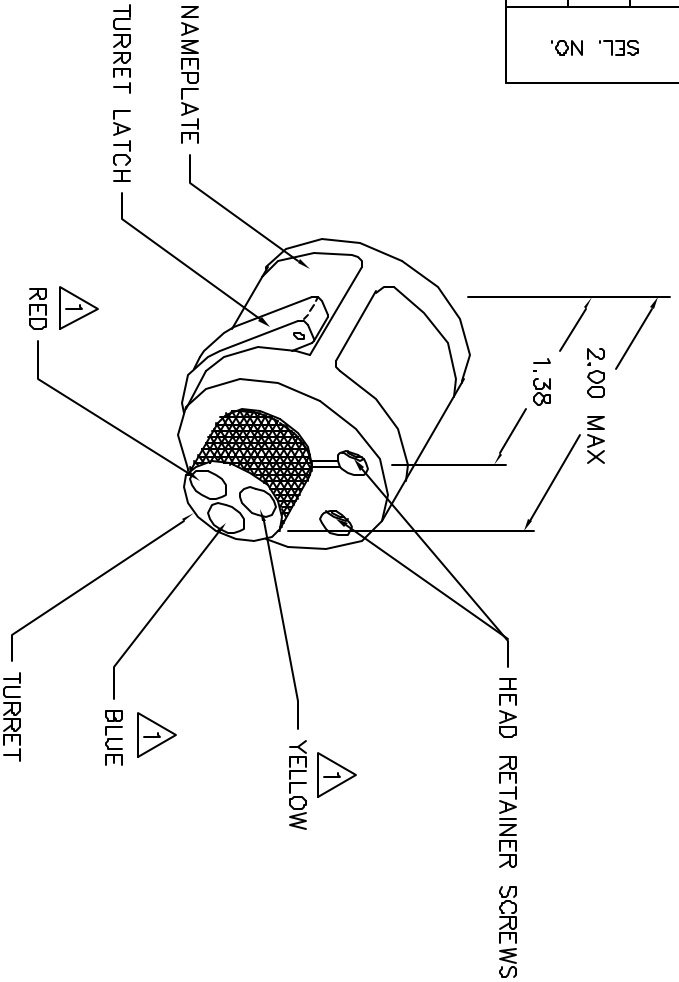
**UNCONTROLLED DOCUMENT
WILL NOT BE UPDATED**

SOCAPLEX SERIE SLX	TYPE CONTACT	TAILLE	CODE COULEUR	24	22	20	18	16	14	12	WIRE SIZE
B00654	F	20	ROUGE	2	3	4	5				5 FL NO
B00650	M	20									
B00664	F	16	BLEU			4	5	6	7		
B00660	M	16									
21728	F	12									
21713	M	12	JAUNE						8	8	



POSITIONER COLOR	HOLE DIMENSIONS	ADDITIONAL FEATURES
RED	$\phi .089$ $\pm .84$ MIN.	$\sqcup \phi .096$ $\pm .015$
BLUE	$\phi .128$ $\pm .84$ MIN.	$\sqcup \phi .149$ $\pm .065$
YELLOW	$\phi .201$ $\pm .84$ MIN.	$\sqcup \phi .218$ $\pm .062$

HOLE AND COUNTERBORE DEPTHS ARE MEASURED FROM TOP OF POSITIONER INSERTS.



1 RANDOM ORDER OF ROTATION IS ACCEPTABLE.

RESTRICTED & CONFIDENTIAL		CONFIDENTIAL PROPERTY OF DANIELS MANUFACTURING CORP. NOT TO BE DISCLOSED TO OTHERS, REPRODUCED OR USED FOR ANY OTHER PURPOSE, EXCEPT AS SPECIFICALLY AUTHORIZED BY DANIELS MANUFACTURING. MUST BE RETURNED TO DANIELS MANUFACTURING CORP. ON COMPLETION OF ORDER OR OTHER PURPOSE FOR WHICH INT.	
ITEM	PART NO.	QTY.	DESCRIPTION/REMARKS
DRW. L. JOYCE	DATE 3/10/06		
CHKD. RRR	DATE 3/10/06		
APPRD.	DATE		
APPRD.	DATE		
NOTE: THIS DRAWING IS AN OUTLINE DRAWING OF THE RESPECTIVE DMC PART NUMBER AND PART NUMBER WITHOUT THE "DMC" SUFFIX.			
TITLE		SCALE	SHEET 1 of 1
ENVELOPE DRAWING		SCALE NTS	
TURRET HEAD		WHERE USED: A/B	
DO NOT SCALE DRAWING		CAD P/N	TH397-ENV
		DMC. NO.	TH397-ENV

DMC DANIELS MANUFACTURING CORP.
ORLANDO, FLORIDA
CAGE 11851