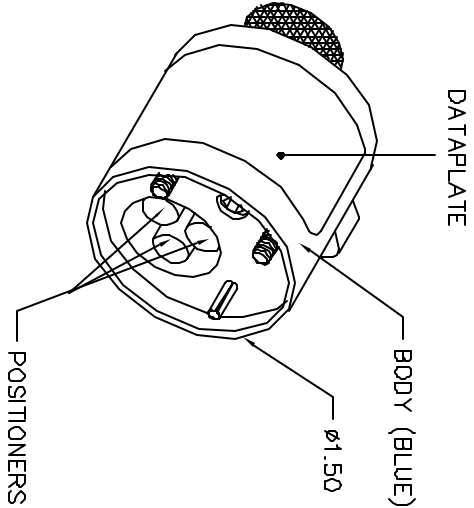


REVISIONS			
REV	E.C.I.A. NUMBER	DESCRIPTION	BY DATE
1		ORIGINAL RELEASE	11-1-99

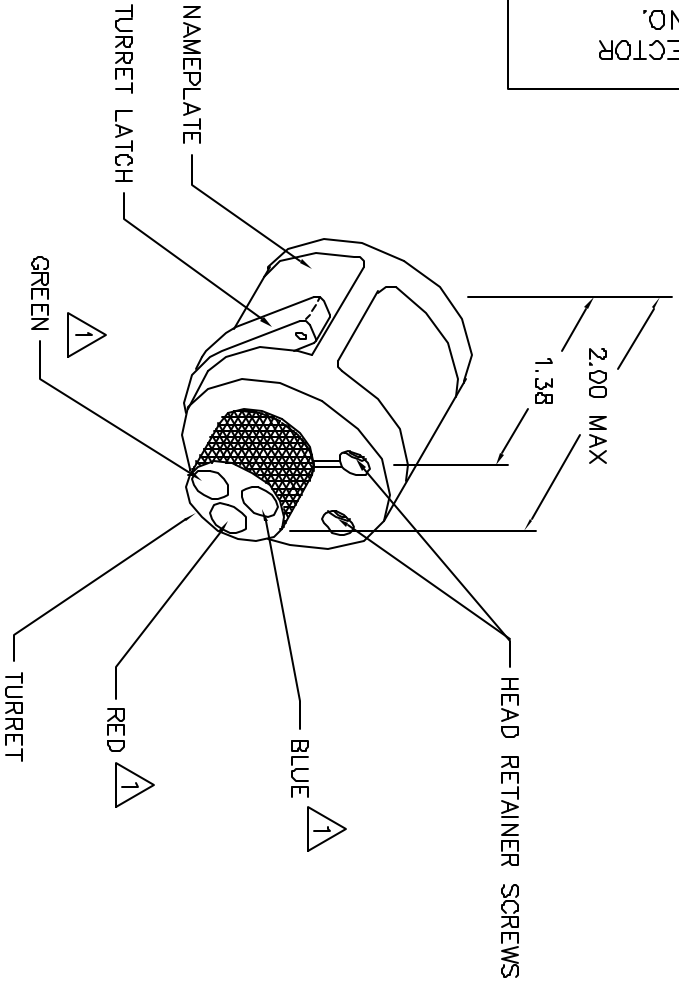
**UNCONTROLLED DOCUMENT
WILL NOT BE UPDATED**

AMP CONTACT P/N'S (REFERENCE ONLY)	COLOR CODE	26	24	22	20	18	16	WIRE SIZE
MSS3192 & 93	RED	1	2	3	4			SELECTOR NO.
M39029/4 & /5	RED							
204978-3	BLUE				4	5	6	
205117-1	BLUE							
204938-3	GREEN							
205116-1 205089-1 205090-1	GREEN	1	1	2				



POSITIONER COLOR	* HOLE DIMENSIONS	ADDITIONAL FEATURES
RED	∅.085 ∓.84 MIN.	
BLUE	∅.125 ∓.84 MIN.	└ ∅.156 ∓.055
GREEN	∅.075 ∓.84 MIN.	

* HOLE DEPTH DIMENSIONS ARE MEASURED FROM THE TOP OF THE POSITIONER INSERTS.



1 RANDOM ORDER OF ROTATION IS ACCEPTABLE.

RESTRICTED & CONFIDENTIAL
 DANIELS MANUFACTURING CORP.
 ORLANDO, FLORIDA
 CASE 17851

ITEM	PART NO.	QTY.	DESCRIPTION/REMARKS
1	TH392-ENV		ENVELOPE DRAWING TURRET HEAD

REV	DATE	BY	APP'D
1	11-1-99		

SIZE	SCALE	DATE P/N	SHEET	OF
B	NTS	TH392-ENV	1	1

DO NOT SCALE DRAWING