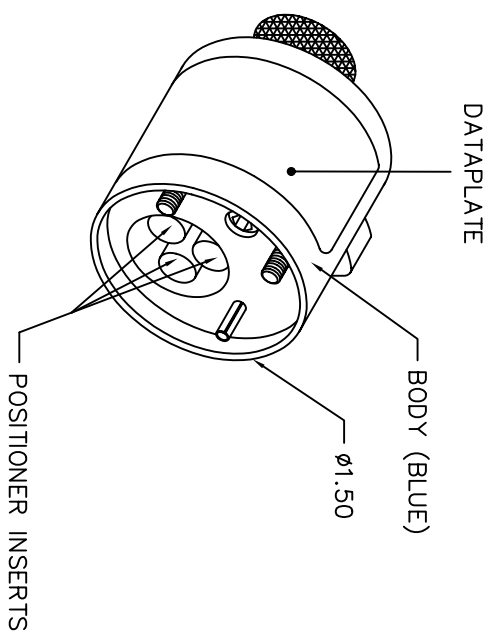


REVISIONS			
REV. NO.	E.C.O. NUMBER	DESCRIPTION	BY DATE
1		ORIGINAL RELEASE	JM 10/27/03
			PRR 10/27/03

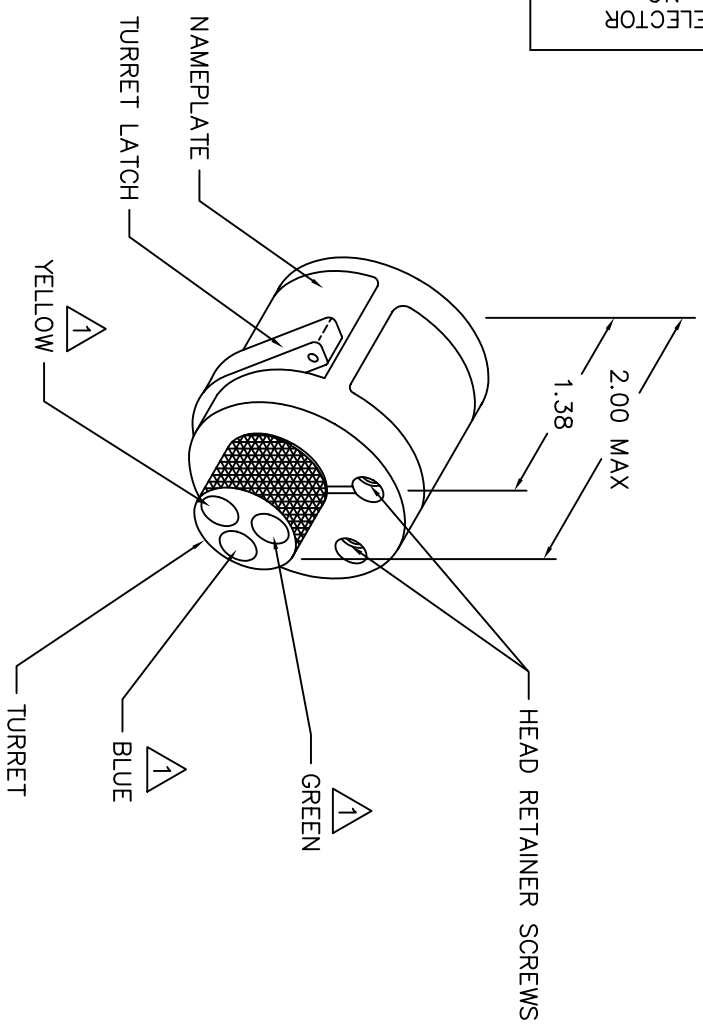
**UNCONTROLLED DOCUMENT
WILL NOT BE UPDATED**

CONTACTS	COLOR CODE	20	18	16	14	12	WIRE SIZE
PLESSEY 508/2/09360 508/2/09360	YELLOW				7	8	SELECTOR NO.
	BLUE	4	5	6			
VEAM A27964- P27914-	GREEN		5	6	7	8	



POSITIONER COLOR	HOLE DIMENSIONS	ADDITIONAL FEATURES
YELLOW	\varnothing 1.191 \pm 1.000	
BLUE	\varnothing 1.336 \pm .931	
GREEN	\varnothing 1.193 \pm .965	

HOLE AND COUNTERBORE DEPTHS ARE MEASURED FROM TOP OF POSITIONER INSERTS.



1 RANDOM ORDER OF ROTATION IS ACCEPTABLE.

RESTRICTED & CONFIDENTIAL		CONFIDENTIAL PROPERTY OF DANIELS MANUFACTURING CORP. THIS DRAWING IS AN OUTLINE DRAWING OF THE RESPECTIVE INDIC PART NUMBER IS DRAWING PART NUMBER WITHOUT THE "ENV" SUFFIX.	
DO NOT SCALE DRAWING	DO NOT SCALE DRAWING		
DATE	DATE	DATE	DATE
10/27/03	10/27/03	10/27/03	10/27/03
BY	BY	BY	BY
JM	JM	JM	JM
10/27/03	10/27/03	10/27/03	10/27/03
1	1	1	1

ITEM	PART NO.	QTY.	DESCRIPTION/REMARKS
1	JOYCE		DANIELS MANUFACTURING CORP. ORLANDO, FLORIDA CASE 11851
TITLE: ENVELOPE DRAWING TURRET HEAD			
WHERE USED: AFB			
SIZE	SCALE	CAD P/N	SHEET OF
B	NTS	TH383-ENV	1
POSTING		DWG. NO.	REV.
		TH383-ENV	1