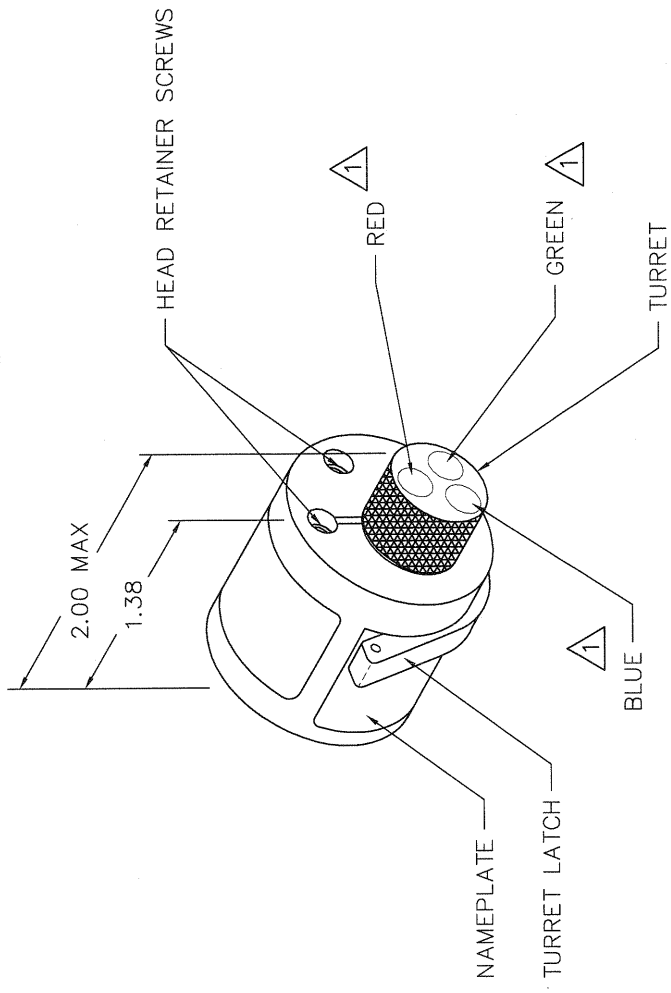
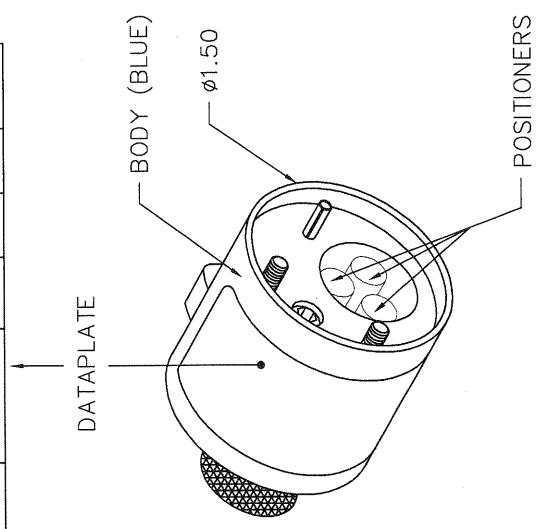


REV. SYM.		E.C.O. NUMBER		DESCRIPTION		BY DATE		APPR'D DATE	
1				ORIGINAL RELEASE		3-18-11			

**UNCONTROLLED DOCUMENT  
WILL NOT BE UPDATED**  
DIMENSIONS IN INCHES - UNLESS OTHERWISE SPECIFIED

VEAM CONTACTS	COLOR CODE	16	18	20	WIRE SIZE	SELECTOR NO.
27911T9	RED			4		
27961T9	RED	6	5			
45471T9	BLUE					
4545T9	GREEN					



△ 1 RANDOM ORDER OF ROTATION IS ACCEPTABLE.

POSITIONER COLOR	* HOLE DIMENSIONS	ADDITIONAL FEATURES
RED	$\phi .136$ $\nabla .825$	
BLUE	$\phi .136$ $\nabla .922$	
GREEN	$\phi .129$ $\nabla .859$	

\* HOLE DEPTH DIMENSIONS ARE MEASURED FROM THE TOP OF THE POSITIONER INSERTS.

ITEM	PART NO.	QTY.	DESCRIPTION/REMARKS
1	TH376-ENV	1	ENVELOPE DRAWING TURRET HEAD

DATE	3-18-11	DATE	
CHK'D	Jerry Dilworth	DATE	
APP'D		DATE	
APP'D		DATE	

WHERE USED: AFB	SCALE	CAD P/N	SHEET OF
B	NTS	TH376-ENV	1 1
POSTING	DWG. NO.	TH376-ENV	REV. 1
			1

RESTRICTED & CONFIDENTIAL

CONFIDENTIAL PROPERTY OF DANIELS MANUFACTURING CORP. NOT TO BE DISCLOSED TO OTHERS. REPRODUCED OR USED FOR ANY OTHER PURPOSE, EXCEPT AS AUTHORIZED IN WRITING BY DANIELS MANUFACTURING. MUST BE RETURNED TO DANIELS MANUFACTURING CORPORATION UPON ORDER OR OTHER PURPOSE FOR WHICH LENT.

NOTE: THIS DRAWING IS AN OUTLINE DRAWING. THE DIMENSIONS INDICATED ARE THE ACTUAL DIMENSIONS. PART NUMBER IS DRAWING NUMBER WITHOUT THE "-ENV" SUFFIX.

DO NOT SCALE DRAWING