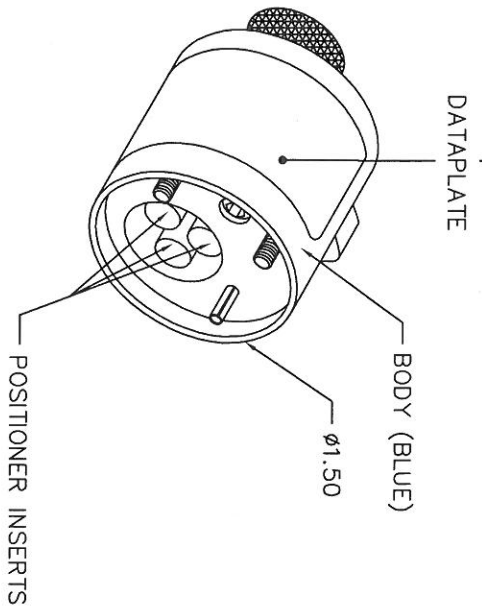


| REVISIONS |               |                  |                 |
|-----------|---------------|------------------|-----------------|
| REV. NO.  | E.C.O. NUMBER | DESCRIPTION      | BY DATE         |
| 1         |               | ORIGINAL RELEASE | TD DATE 2-20-13 |

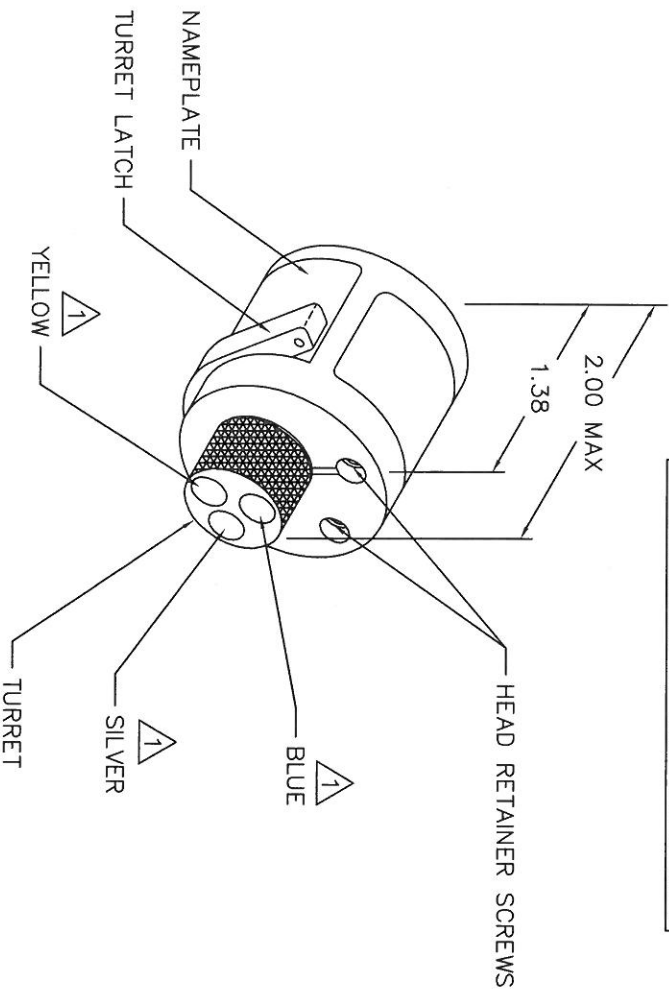
**UNCONTROLLED DOCUMENT  
WILL NOT BE UPDATED**  
DIMENSIONS IN INCHES - UNLESS OTHERWISE SPECIFIED

| CONTACT       | COLOR CODE | 20 | 18 | 16 | 14 | 12 | WIRE SIZE    |
|---------------|------------|----|----|----|----|----|--------------|
| M39029/57-359 | YELLOW     |    |    |    | 7  | 8  | SELECTOR NO. |
| M39029/22-193 | BLUE       | 4  | 5  | 6  |    |    |              |



| POSITIONER COLOR | HOLE DIMENSIONS           | ADDITIONAL FEATURES              |
|------------------|---------------------------|----------------------------------|
| YELLOW           | $\phi .166$<br>$\pm .437$ | $\sqcup \phi .185$<br>$\pm .040$ |
| BLUE             | $\phi .134$<br>$\pm .153$ |                                  |
| SILVER           |                           |                                  |

HOLE AND COUNTERBORE DEPTHS ARE MEASURED FROM TOP OF POSITIONER INSERTS.



$\triangle 1$  RANDOM ORDER OF ROTATION IS ACCEPTABLE.

**RESTRICTED & CONFIDENTIAL**  
CONFIDENTIAL PROPERTY OF DANIELS MANUFACTURING CORP. NOT TO BE DISCLOSED TO OTHERS, REPRODUCED OR USED FOR ANY OTHER PURPOSE, EXCEPT AS AUTHORIZED IN WRITING BY DANIELS MANUFACTURING. UNLESS OTHERWISE SPECIFIED, ALL DIMENSIONS ARE TO DANIELS MANUFACTURING CORP. TOLERANCES UNLESS OTHERWISE SPECIFIED FOR WHICH LEAD.

DO NOT SCALE DRAWING

| ITEM        | PART NO. | QTY. | DESCRIPTION/REMARKS |
|-------------|----------|------|---------------------|
| DRN. DATE   | 2-20-13  |      |                     |
| CHK'D. DATE |          |      |                     |
| APP'D. DATE |          |      |                     |
| APP'D. DATE |          |      |                     |

NOTE: THIS DRAWING IS AN OUTLINE DRAWING OF THE RESPECTIVE DIM PART NUMBER INDICATED. ACTUAL DIM PART NUMBER IS DRAWING PART NUMBER WITHOUT THE "-ENV SUFFIX."

WHERE USED: AFB

**DMC** DANIELS MANUFACTURING CORP.  
ORLANDO, FLORIDA  
CAGE 11851

TURRET HEAD ENVELOPE DRAWING

| SIZE    | SCALE | CAD P/N            | SHEET OF |
|---------|-------|--------------------|----------|
| B       | NTS   | TH369-ENV          | 1        |
| POSTING |       | DWG. NO. TH369-ENV | 1        |