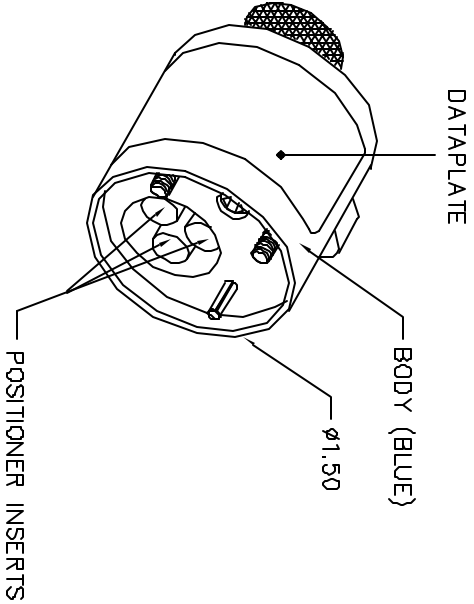


REVISING			
REV. SYM.	NUMBER	DESCRIPTION	DT. DATE
1		ORIGINAL RELEASE	12/18/04

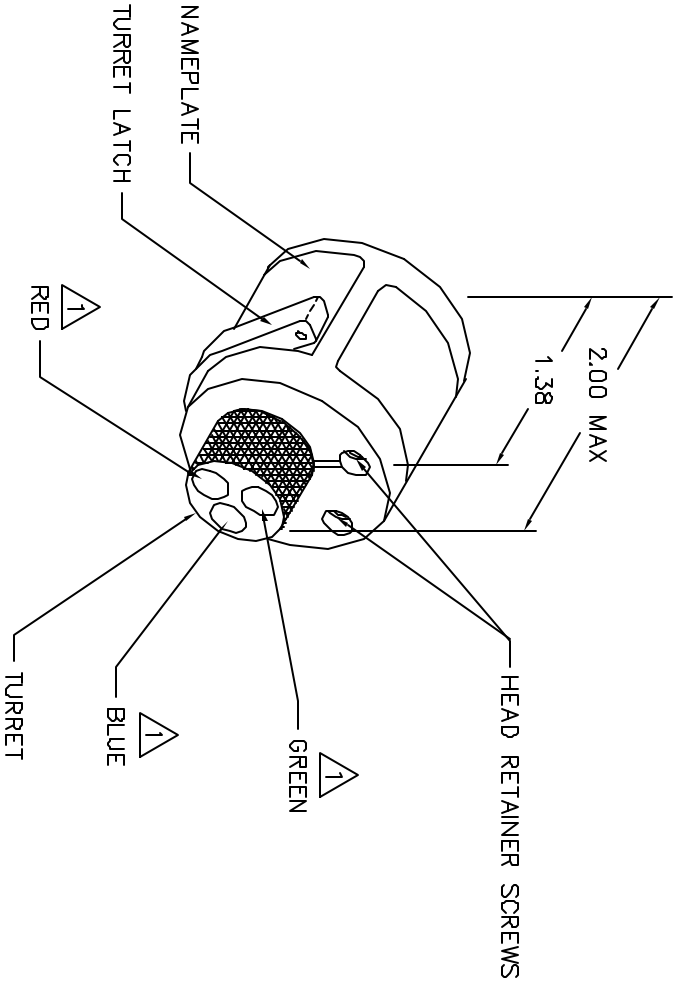
**UNCONTROLLED DOCUMENT  
WILL NOT BE UPDATED**

VIRGINIA PANEL CORP. CONTACTS	COLOR CODE	26	24	22	WIRE SIZE
VP-3268-5	RED	1	1		
VP-3268-10	BLUE		3	4	
VP-3268-9	GREEN		3	4	



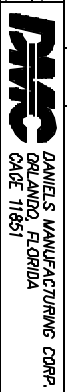
POSITIONER COLOR	HOLE DIMENSIONS	ADDITIONAL FEATURES
RED	$\phi .136$ $\pm .000$	$\perp \phi .191$ $\pm .056$
BLUE	$\phi .062$ $\pm .84$ MIN.	$\perp \phi .228$ $\pm .252$
GREEN	$\phi .063$ $\pm .182$	

HOLE AND COUNTERBORE DEPTHS ARE MEASURED FROM TOP OF POSITIONER INSERTS.



**1** RANDOM ORDER OF ROTATION IS ACCEPTABLE.

<b>RESTRICTED &amp; CONFIDENTIAL</b>		CONFIDENTIAL PROPERTY OF DANIELS MANUFACTURING CORP. NOT TO BE REPRODUCED OR DISCLOSED IN ANY MANNER WITHOUT THE EXPRESS AUTHORIZATION IN WRITING BY DANIELS MANUFACTURING MANUFACTURING CORP. ON COMPLETION OF ORDER OR OTHER PURPOSE FOR WHICH SENT.	
ITEM	PART NO.	QTY.	DESCRIPTION/REMARKS
DRN	J. JOYCE	12/18/04	
CHK'D	RRR	12/18/04	
APPR'D		DATE	
<b>NOTE:</b> THIS DRAWING IS AN OUTLINE DRAWING OF THE RESPECTIVE PART NUMBER IS DRAWING NUMBER WITHOUT THE "ENV" SUFFIX.			
TITLE		WHERE USED	
TURRET HEAD ENVELOPE DRAWING		AFTB	
SIZE		SHEET OF	
B		1	
NTS		REV	
PARTING		1	
DWG. NO.		TH367-ENV	
PARTING		1	



DO NOT SCALE DRAWING