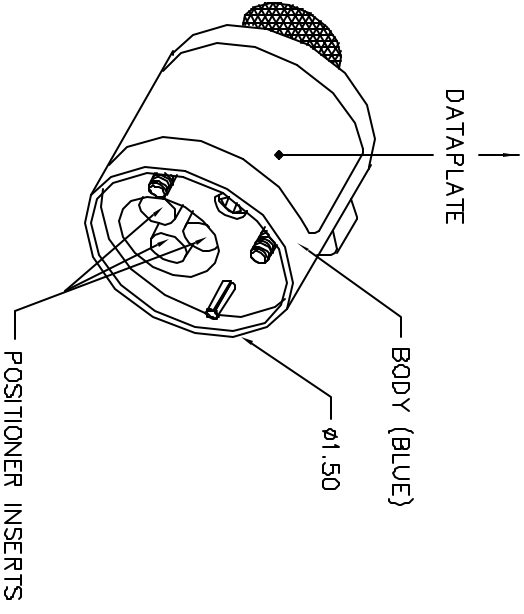
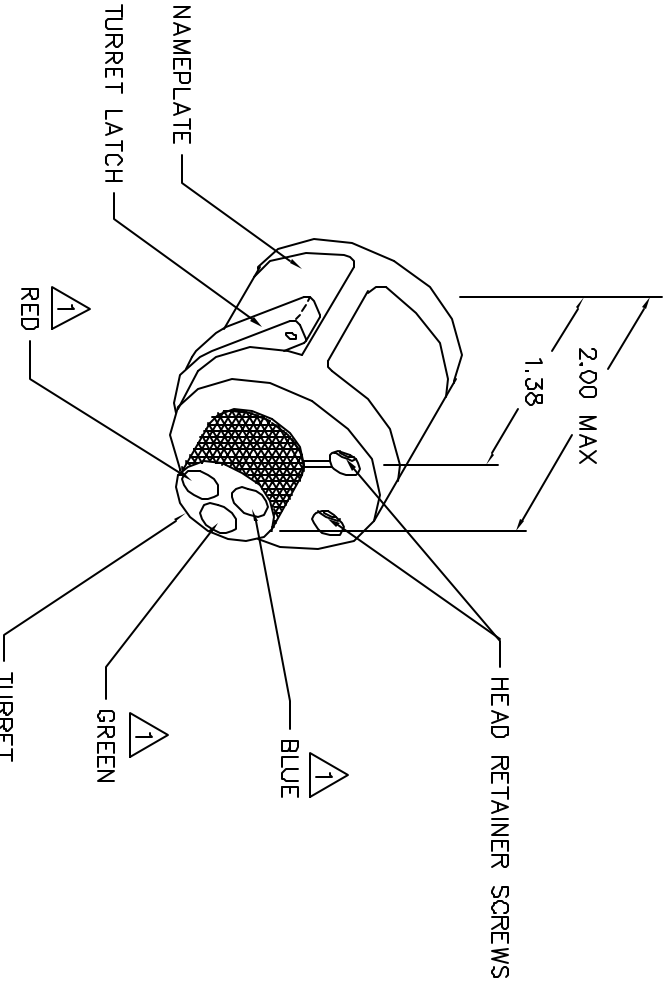


CONTACT	COLOR	18	16	WIRE SIZE
EDISON	43009	BLUE	5	SELECTOR
FENWALL	23216-2	GREEN	5	NO.
35303-6	RED	6		



POSITIONER COLOR	HOLE DIMENSIONS	ADDITIONAL FEATURES
BLUE	$\phi 1.141$ $\pm .514$	
GREEN	$\phi .0916$ $\pm .450$	
RED	$\phi .093$ $\pm .84$ MIN.	$\sqsubset \phi .156$ $\pm .154$



▲ 1 RANDOM ORDER OF ROTATION IS ACCEPTABLE.

REVISIONS			
REV. NO.	E.C.D. NUMBER	DESCRIPTION	BY DATE
1		ORIGINAL RELEASE	12-13-01

**UNCONTROLLED DOCUMENT
WILL NOT BE UPDATED**

* HOLE AND COUNTERBORE DEPTHS ARE MEASURED FROM TOP OF POSITIONER INSERTS.

RESTRICTED & CONFIDENTIAL

CONFIDENTIAL PROPERTY OF DANIELS MANUFACTURING CORP. NOT TO BE DISCLOSED TO OTHERS, REPRODUCED OR USED FOR ANY OTHER PURPOSES EXCEPT AS AUTHORIZED IN WRITING BY DANIELS MANUFACTURING CORP. ON COMPLETION OF ORDER OR OTHER PURPOSE FOR WHICH INTENT.

ITEM	PART NO.	QTY.	DESCRIPTION/REMARKS
DRW. N. 100-1048	DATE 12-13-01		
DRWS. RRR	DATE 12-13-01		
APRDS	DATE		
APRDS	DATE		

NOTE: THIS DRAWING IS AN OUTLINE DRAWING OF THE RESPECTIVE PART NUMBER. INDICATED PART NUMBER AND PART NUMBER ON DRAWING MUST BE IDENTICAL. THE "-ENV" SUFFIX.

Daniel's Manufacturing Corp.
ORLANDO, FLORIDA
CAGE 17857

TITLE: ENVELOPE DRAWING
TURRET HEAD

WHERE USED: ASB

SCALE	CAD P/N	SHEET	OF
B	TH330-ENV	1	1
POSTING	DWG. NO. TH330-ENV		

DO NOT SCALE DRAWING