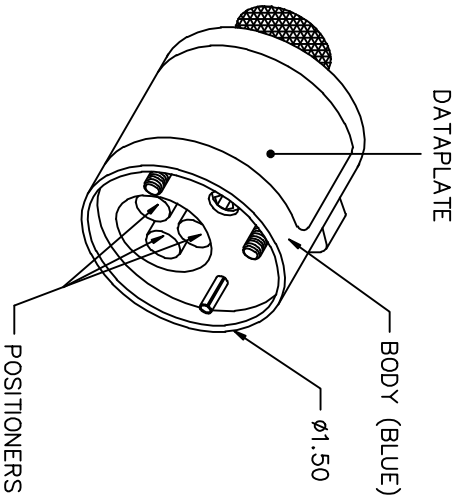


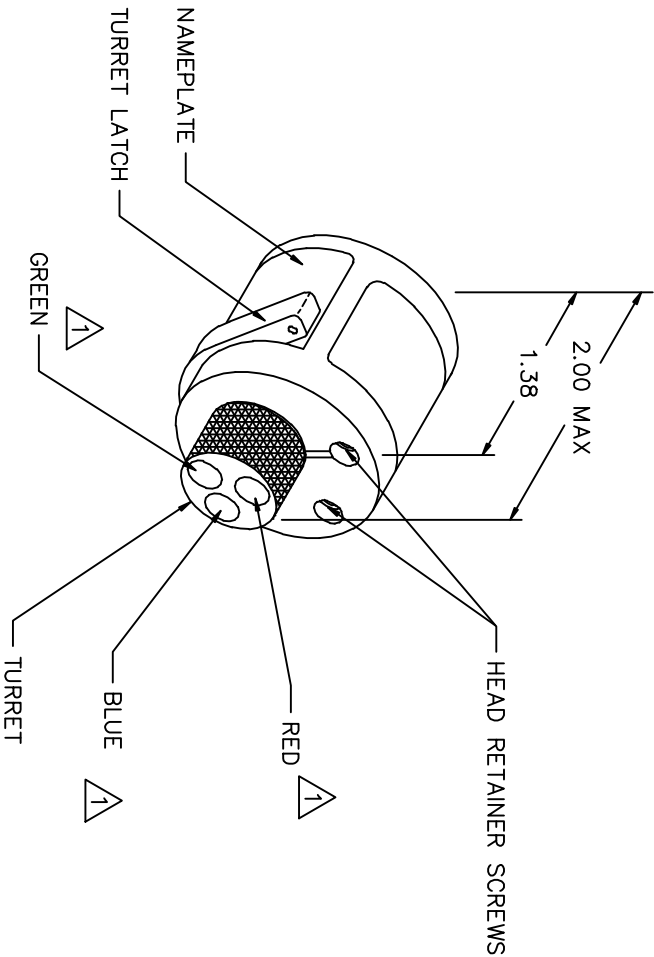
DEUTSCH CONTACTS	COLOR CODE	26	24	22	20	18	16	WIRE SIZE	SELECTOR NO.
1841-1-5620	GREEN	1	2	3	4				
0641-10-2056	GREEN								
0603-13-2056	GREEN								
800-20/32-1	BLUE	2	2	3	4				
800-20/30-1	BLUE								
1841-1-5616	RED					4	5	6	



POSITIONER COLOR	* HOLE DIMENSIONS	ADDITIONAL FEATURES
GREEN	∅.085 ∇ THRU	
BLUE	∅.098 ∇ THRU	∇ ∅.125 ∇ .140
RED	∅.125 ∇ THRU	∇ ∅.156 ∇ .055

\* HOLE DEPTH DIMENSIONS ARE MEASURED FROM THE TOP OF THE POSITIONER INSERTS.

REVISIONS			
REV. NO.	E.C.O. NUMBER	DESCRIPTION	BY DATE
1		ORIGINAL RELEASE	TD 11-10-08
2		COLOR CODE GREEN WAS RED COLOR CODE RED WAS GREEN	K. KOONS 11-13-09



▲ RANDOM ORDER OF ROTATION IS ACCEPTABLE.

<b>RESTRICTED &amp; CONFIDENTIAL</b>		COMPUNTEL PROPERTY OF DANIELS MANUFACTURING CORP. NOT TO BE DISCLOSED TO OTHERS, REPRODUCED OR USED FOR ANY OTHER PURPOSE, EXCEPT AS AUTHORIZED IN WRITING BY DANIELS MANUFACTURING.	
DATE	DATE	DATE	DATE
11-10-08			
APP'D.	DATE	APP'D.	DATE
NOTE: THIS DRAWING IS AN OUTLINE DRAWING OF THE RESPECTIVE PART NUMBER IS DRAWING NUMBER WITHOUT THE "-ENV" SUFFIX.			
PART NO.		QTY.	DESCRIPTION/REMARKS
TH329-ENV			ENVELOPE DRAWING TURRET HEAD
DRAWN BY: <i>Shilworth</i>		DANIELS MANUFACTURING CORP. ORLANDO, FLORIDA CAGE: 11851	
CHK'D.	DATE	SCALE	CAD P/N
		B NTS	TH329-ENV
DO NOT SCALE DRAWING		POSTING	DWG. NO. TH329-ENV
			SHEET 1 OF 2
			REV. 2