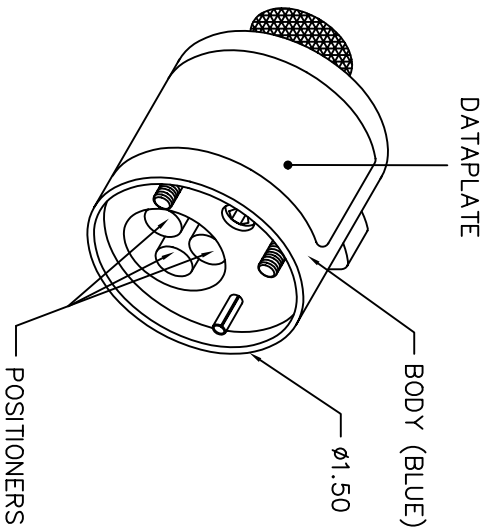
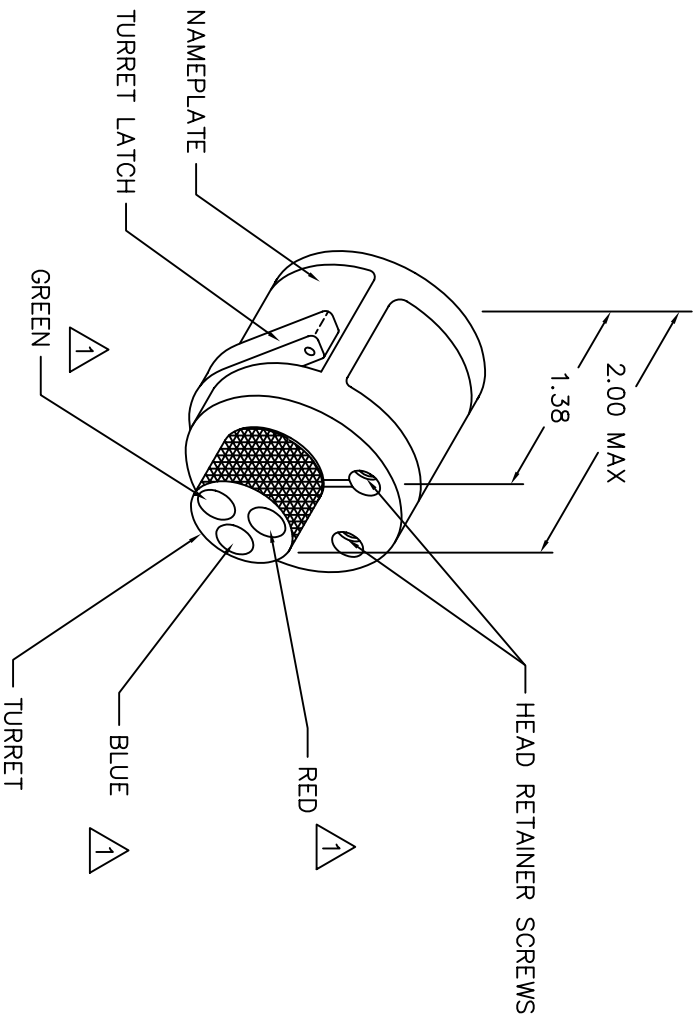


CONTACTS	COLOR CODE	22	20	18	16	WIRE SIZE
DEUTSCH	RED	4	5	6		SEL. NO.
800-16/32-1						
200-16/30-3						
BURNDY	BLUE	3	4	5		
RM20M-12						
RM16M-23						
RC20M-12	GREEN	3	4	5		
RC16M-23						



POSITIONER COLOR	* HOLE DIMENSIONS	ADDITIONAL FEATURES
GREEN	$\phi 1.36$ $\pm .415$	
BLUE	$\phi 0.78$ $\pm .84$ MIN.	$\perp \phi 1.36$ $\pm .330$
RED	$\phi 1.30$ $\pm .84$ MIN.	$\perp \phi 1.56$ $\pm .154$

* HOLE DEPTH DIMENSIONS ARE MEASURED FROM THE TOP OF THE POSITIONER INSERTS.



1 RANDOM ORDER OF ROTATION IS ACCEPTABLE.

REVISIONS			
REV. STYL.	E.C.O. NUMBER	DESCRIPTION	BY DATE
2		REDRAWN	AMM 12-17-99

RESTRICTED & CONFIDENTIAL		ITEM	PART NO.	QTY.	DESCRIPTION/REMARKS
CONFIDENTIAL PROPERTY OF DANIELS MANUFACTURING CORP. NOT TO BE DISCLOSED TO OTHERS, REPRODUCED OR USED FOR ANY OTHER PURPOSE, EXCEPT AS AUTHORIZED IN WRITING BY DANIELS MANUFACTURING CORP. ON COMPLETION OF ORDER OR OTHER PURPOSE FOR WHICH LENT.		DRWL	LV		DANIELS MANUFACTURING CORP. ORLANDO, FLORIDA CAGE 11851
		CHK'D.	PD		
		APP'D.	AMM		
		DATE	7-23-91		
		DATE	7-23-91		
		DATE	7-24-91		
		DATE			
NOTE:		THIS DRAWING IS AN OUTLINE DRAWING OF THE RESPECTIVE INDIC PART NUMBER AND PART NUMBER IS DRAWING NUMBER WITHOUT THE "-ENV" SUFFIX.			
DO NOT SCALE DRAWING		WHERE USED:		AFB	
		SIZE	SCALE	CAD P/N	SHEET OF
		B	NTS	TH328-ENV	1
		POSTING		DWG. NO. TH328-ENV	REV. 2
		TITLE		ENVELOPE DRAWING TURRET HEAD	