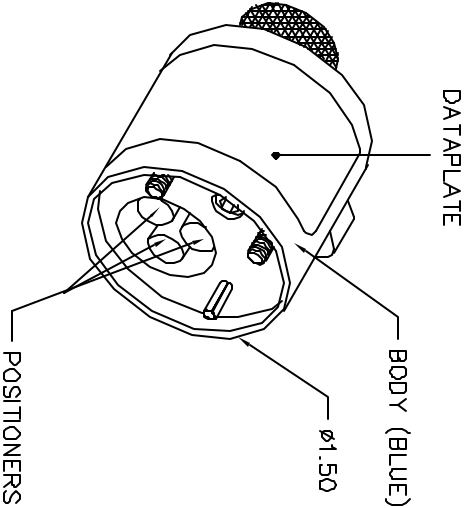
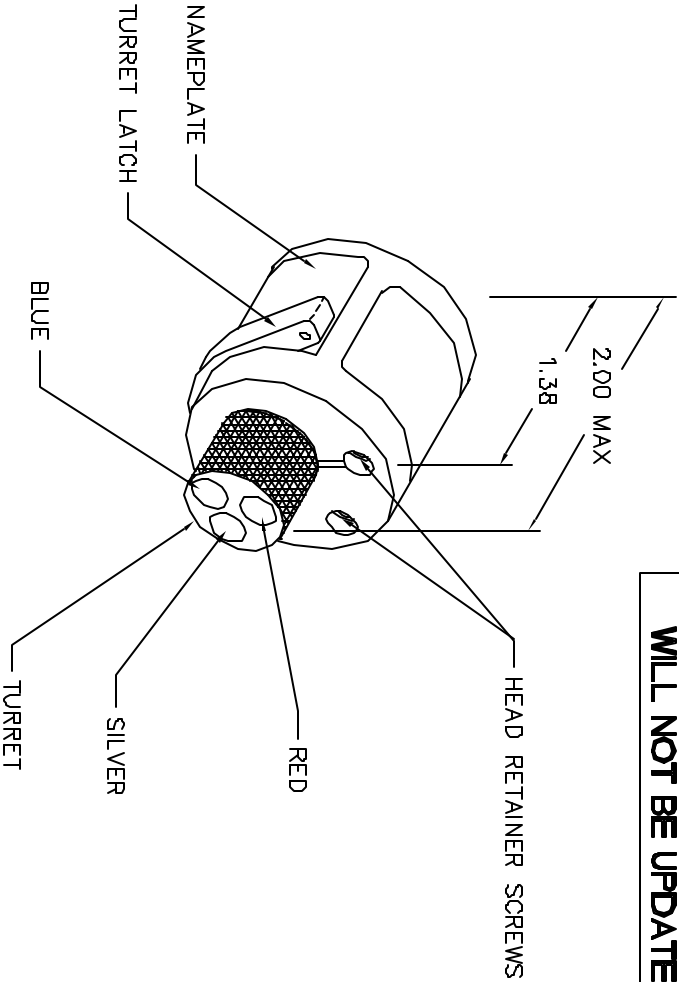


AMPHENOL CANADA, LTD	COLOR CODE	26	24	22	20	18	16	WIRE SIZE
480 & 486 -16 SERIES	RED	2	3	3	4			SELECTOR NO.
	BLUE				4	5	6	



POSITIONER COLOR	HOLE DIMENSIONS	ADDITIONAL FEATURES
BLUE	∅.125 ∟∅.156	∓.84 MIN. ∓.102
SILVER		
RED	∅.094 ∟∅.125	∓.84 MIN. ∓.145



REVISIONS			
REV NO.	REV DATE	BY NAME	APP'D DATE
1		AMM	11-86
DESCRIPTION		ORIGINAL RELEASE	

**UNCONTROLLED DOCUMENT
WILL NOT BE UPDATED**

RESTRICTED & CONFIDENTIAL COMPROMENTAL PROPERTY OF DANIELS MANUFACTURING CORP. NOT TO BE DISCLOSED TO OTHERS. REPRODUCED OR USED FOR ANY OTHER PURPOSE, EXCEPT AS AUTHORIZED IN WRITING BY DANIELS MANUFACTURING. MUST BE RETURNED TO DANIELS MANUFACTURING FOR PROPER DISPOSITION OF ORDER WHICH PURCHASE FOR WHICH INT.		MATERIAL	FINISH	HEAT TREAT	ITEM	PART NO.	QTY.	DESCRIPTION /REMARKS
DO NOT SCALE DRAWING					REV. A M. MOO-YOUNG DATE 11-11-86		DANIELS MANUFACTURING CORP. ORLANDO, FLORIDA CASE 17851	
NOTE: THIS DRAWING IS AN OUTLINE DRAWING OF THE RESPECTIVE DIMENSIONS. ACTUAL DIMS. MAY VARY FROM THE PART NUMBER WITHOUT THE "ENV" SUFFIX.					APP'D. DATE		ENVELOPE DRAWING TURRET HEAD	
WHERC USED: AIR					DATE		SCALE: 1:1	
DRAWN BY: TH317-FNV					DATE		SHEET OF: 1	
CHECKED BY: TH317-FNV					DATE		REV: 1	
DWC NO: TH317-ENV								