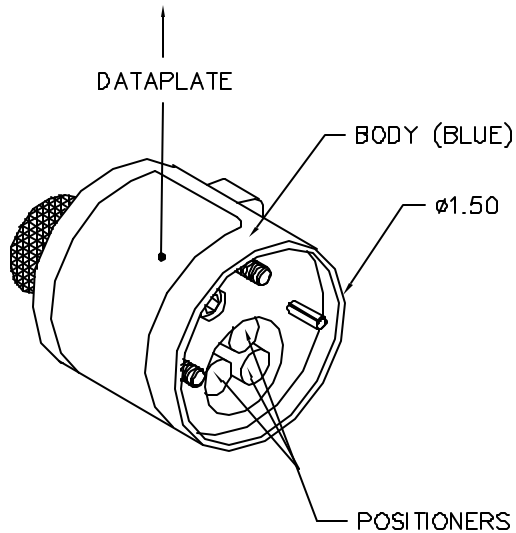


BENDIX CONTACTS	COLOR CODE	20	18	16	14	12	WIRE SIZE	SELECTOR NO.
10-40552, 3, 4, 5	RED	4	5	6				
10-40557, 9	BLUE	4	5	6				
10-40556, 8	GREEN	4	5	6				
10-40560, 1	GREEN				8	8		

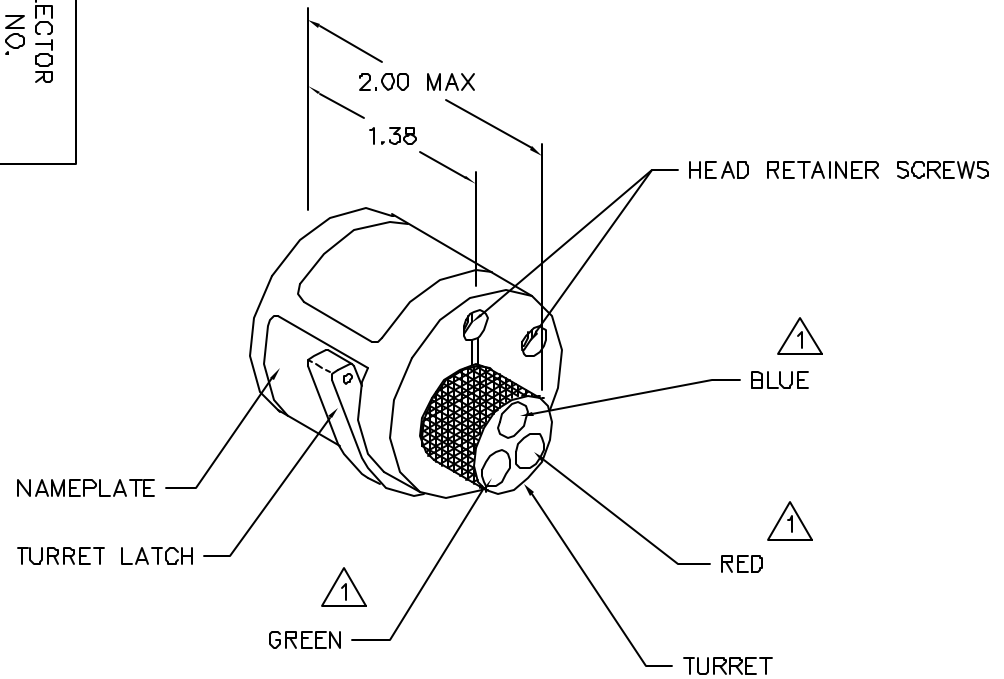


POSITIONER COLOR	HOLE DIMENSIONS	ADDITIONAL FEATURES
RED	$\phi .136$ $\nabla .580$	
BLUE	$\phi .136$ $\nabla .760$	
GREEN	$\phi .203$ $\nabla .950$	

HOLE DEPTH DIMENSIONS ARE TAKEN FROM THE TOP OF THE POSITIONER INSERTS.

REVISIONS				
REV. STN.	E.C.D. NUMBER	DESCRIPTION	BY DATE	APP'D DATE
1		ORIGINAL RELEASE	AAM 3-17-00	RRR 3-17-00

**UNCONTROLLED DOCUMENT
WILL NOT BE UPDATED**



1 RANDOM ORDER OF ROTATION IS ACCEPTABLE.

RESTRICTED & CONFIDENTIAL		ITEM	PART NO.	QTY.	DESCRIPTION/REMARKS
CONFIDENTIAL PROPERTY OF DANIELS MANUFACTURING CORP. NOT TO BE DISCLOSED TO OTHERS, REPRODUCED OR USED FOR ANY OTHER PURPOSE, EXCEPT AS AUTHORIZED IN WRITING BY DANIELS MANUFACTURING. MUST BE RETURNED TO DANIELS MANUFACTURING CORP. ON COMPLETION OF ORDER OR OTHER PURPOSE FOR WHICH LENT.		ORL	DATE		Daniel's Manufacturing Corp. DANIELS MANUFACTURING CORP. ORLANDO, FLORIDA CAGE 11651
		AAM	3-17-00		
		CHK'D:	DATE		
		RRR	3-17-00		
		APP'D:	DATE		TITLE
		APP'D:	DATE		ENVELOPE DRAWING TURRET HEAD
		WHERE USED: AFB			
		SIZE	SCALE	CAD P/N	SHEET
		B	NTS	TH29-ENV	1
		POSTING	P/N	TH29-ENV	REV.
					1

DO NOT SCALE DRAWING