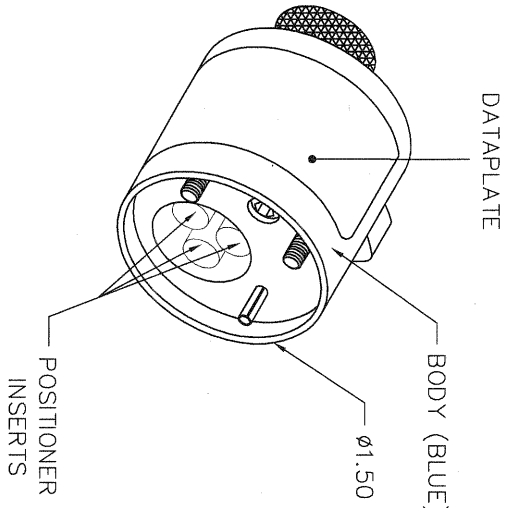
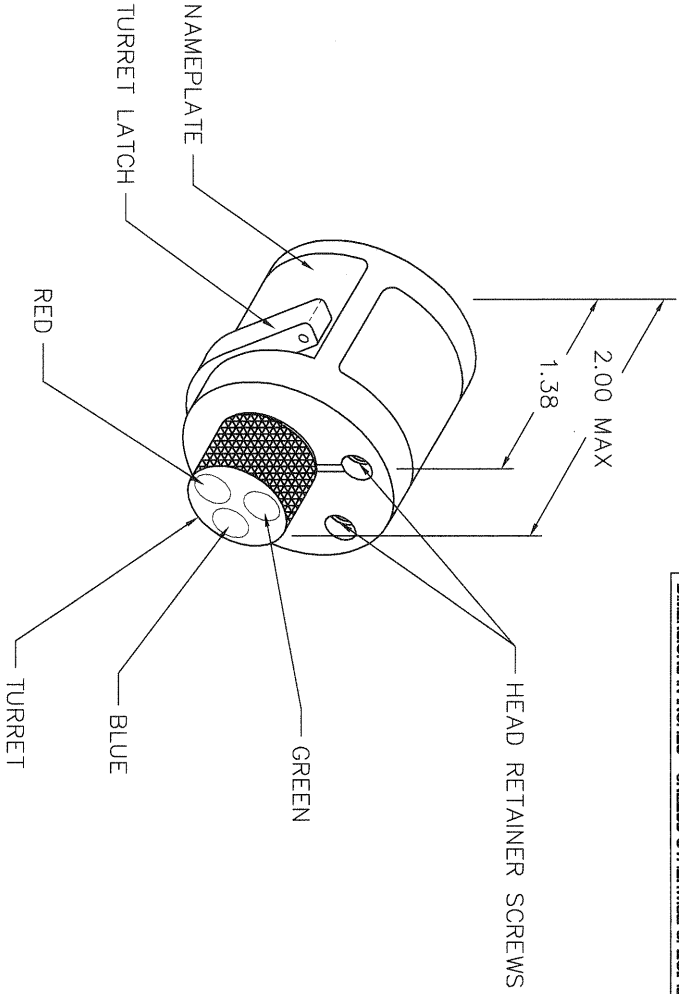


DEUTSCH CONTACTS	COLOR CODE	26	24	22	20	18	16	14	12	WIRE SIZE
0641-10-2056	RED	1	2	3	4					
0603-13-2056	RED									
800-16/32-1	BLUE				4	5	6			
200-16/30-3	BLUE									
800-12/32-1	GREEN									
200-12/30-3	GREEN									



POSITIONER COLOR	* HOLE DIMENSIONS	ADDITIONAL FEATURES
RED	$\phi .085$ \pm THRU	
BLUE	$\phi .130$ \pm THRU	$\phi .156$ $\pm .154$
GREEN	$\phi .191$ \pm THRU	$\phi .219$ $\pm .154$

* HOLE DIMENSIONS ARE FROM THE TOP OF THE POSITIONER INSERTS.



REV. SYM.	E.C.O. NUMBER	DESCRIPTION	BY DATE	APP'D DATE
1		ORIGINAL RELEASE	AAV 5-24-99	RRR 5-24-99

UNCONTROLLED DOCUMENT
WILL NOT BE UPDATED
DIMENSIONS IN INCHES - UNLESS OTHERWISE SPECIFIED

RESTRICTED & CONFIDENTIAL

CONFIDENTIAL PROPERTY OF DANIELS MANUFACTURING CORP. NOT TO BE DISCLOSED TO OTHERS, REPRODUCED OR USED FOR ANY OTHER PURPOSE, EXCEPT AS AUTHORIZED IN WRITING BY DANIELS MANUFACTURING CORP. ON COMPLETION OF ORDER OR OTHER PURPOSE FOR WHICH LENT.

ITEM	PART NO.	QTY.	DESCRIPTION/REMARKS
DRN. A. MOO-YOUNG	DATE 5-24-99		
CHK'D. RRR	DATE 5-24-99		
APP'D.	DATE		
APP'D.	DATE		

NOTE: THIS DRAWING IS AN OUTLINE DRAWING OF THE RESPECTIVE DIMENSIONS. ACTUAL DIM. PART NUMBER IS DRAWING THE "ENV" SUFFIX.

WHERE USED: AFB

SCALE: B NTS

CAD P/N: TH294-ENV

DWG. NO.: TH294-ENV

SHEET 1 OF 1

REV. 1

DO NOT SCALE DRAWING

DANIELS MANUFACTURING CORP.
ORLANDO, FLORIDA
CAGE 11851

ENVELOPE DRAWING
TURRET HEAD