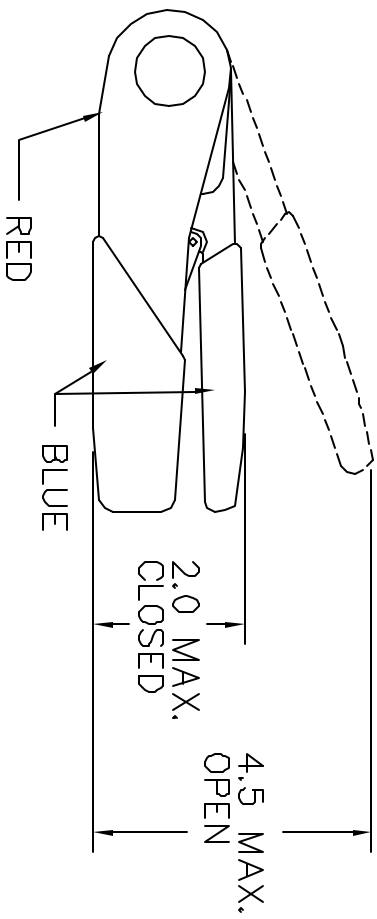
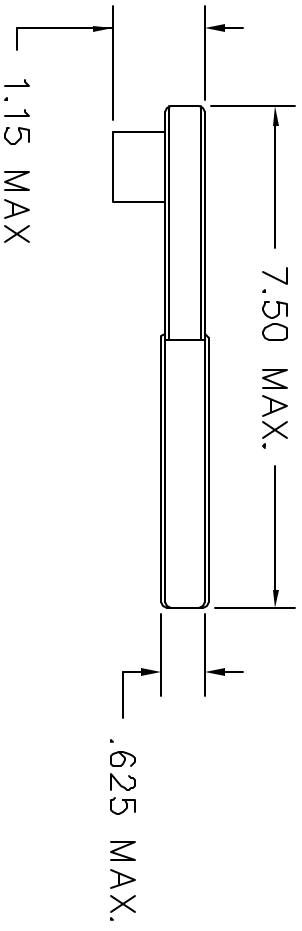


**UNCONTROLLED DOCUMENT
WILL NOT BE UPDATED**

REVISIONS				
REV. SYM.	E.C.D. NUMBER	DESCRIPTION	BY DATE	APP'D DATE
1		ORIGINAL RELEASE	AAM 2-23-00	RRR 2-23-00



Tool No. 2745-1	Wire
Gage Go .025 No Go .030	20 22
Contacts: M39029/4-110 M39029/5-115 27% NICKEL	

DATAPLATE

RESTRICTED & CONFIDENTIAL

CONFIDENTIAL PROPERTY OF DANIELS MANUFACTURING CORP. NOT TO BE DISCLOSED TO OTHERS, REPRODUCED OR USED FOR ANY OTHER PURPOSE, EXCEPT AS AUTHORIZED IN WRITING BY DANIELS MANUFACTURING. MUST BE RETURNED TO DANIELS MANUFACTURING CORP. ON COMPLETION OF ORDER OR OTHER PURPOSE FOR WHICH LENT.

DO NOT SCALE DRAWING

DRN. A. MOO-YOUNG	DATE 2-23-00
CHK'D. RRR	DATE 2-23-00
APP'D.	DATE
APP'D.	DATE



DANIELS MANUFACTURING CORP.
ORLANDO, FLORIDA
CAGE 11851

TITLE
ENVELOPE DRAWING
SPECIAL PURPOSE TOOL

WHERE USED:	CAD P/N	SHEET	OF
SIZE SCALE	2745-1-ENV	1	1
POSTING	P/N	REV.	
A NTS	2745-1-ENV	1	