

DATAPLATE

3X POSITIONER INSERTS



TURRET LATCH



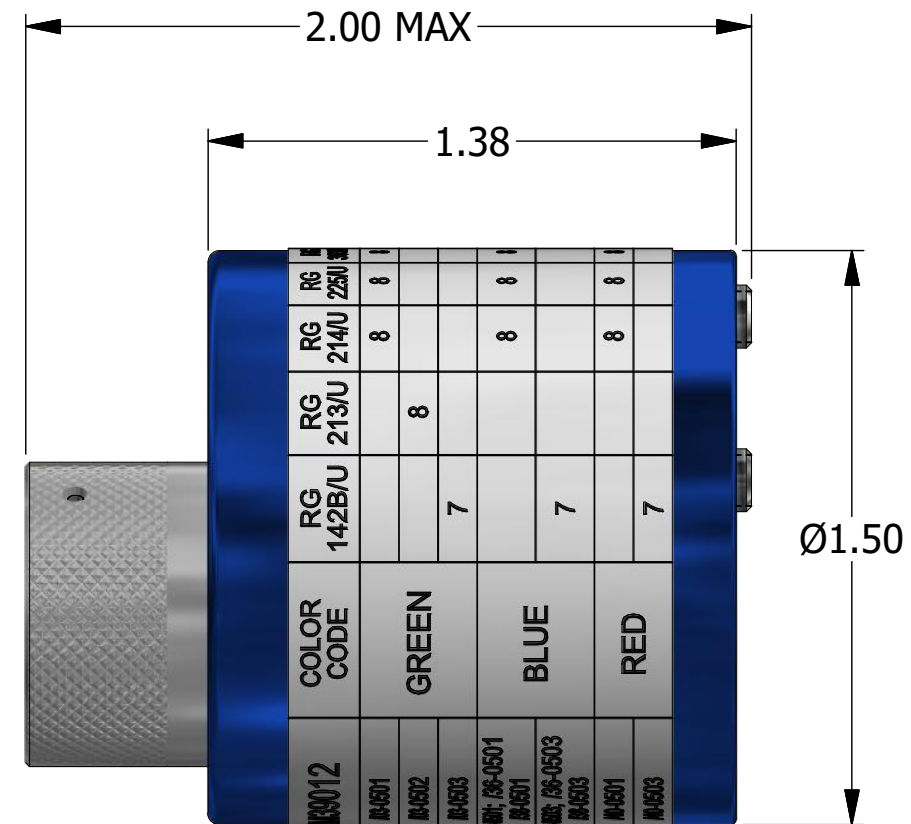
RANDOM ORDER OF ROTATION IS ACCEPTABLE FOR POSITIONER INSERTS

INSERT COLOR	HOLE DIMENSIONS	ADDITIONAL FEATURES
BLUE	Ø.096 ▽.686	└┬┴.125 ▽.472
RED	Ø.125 ▽.892	
GREEN	Ø.125 ▽.779	

REVISIONS						
REV	ECO NO.	DESCRIPTION	BY	DATE	APP'D BY	DATE
1		ORIGINAL RELEASE	JWS	3/25/1986	TS	3/25/1986
2	23573	UPDATED & REDRAWN	TonyD	3/24/2015		
3	25000	DATAPLATE UPDATED	TonyD	5/5/2020		

M39012	COLOR CODE	RG 142B/U	RG 213/U	RG 214/U	RG 225/U	RG 393/U	RG 400/U	CABLE
/03-0501	GREEN			8	8	8		SELECTOR No.
/03-0502			8					
/03-0503		7					7	
/35-0501; /36-0501 /38-0501	BLUE			8	8	8		
/35-0503; /36-0503 /38-0503		7				7		
/40-0501				8	8	8		
/40-0503	RED	7					7	

**UNCONTROLLED DOCUMENT
WILL NOT BE UPDATED**
DIMENSIONS IN INCHES - UNLESS OTHERWISE SPECIFIED



RESTRICTED & CONFIDENTIAL
CONFIDENTIAL PROPERTY OF DANIELS MANUFACTURING CORP. NOT TO BE DISCLOSED TO OTHERS. REPRODUCTION OR USED FOR ANY OTHER PURPOSE EXCEPT AS AUTHORIZED IN WRITING BY DANIELS MANUFACTURING. MUST BE RETURNED TO DANIELS MANUFACTURING CORP. ON COMPLETION OF ORDER OR PURPOSES FOR WHICH LENT.
CREATED FROM AN INVENTOR MODEL.
CHANGES MUST BE REFLECTED IN THE 3D PART
DO NOT SCALE DRAWING

MATERIAL	ITEM	PART NO.	QTY.	DESCRIPTION / REMARKS
N/A	DRN. A. MOO-YOUNG CHK'D.	DATE 3/25/1986 DATE		DMC DANIELS MANUFACTURING CORP. ORLANDO, FLORIDA CAGE 11851
HEAT TREAT				NOTE: THIS DRAWING IS AN OUTLINE DRAWING OF THE RESPECTIVE DMC PART NUMBER INDICATED. ACTUAL DMC PART NUMBER IS CAD PART NUMBER WITHOUT THE "-ENV" SUFFIX
FINISH				TITLE: TURRET HEAD (M22520/1-14) ENVELOPE DRAWING WHERE USED: AF8 SIZE: B SCALE: 2 : 1 CAD P/N: TH286-ENV SHEET: 1 OF 1 DWG. NO.: TH286 REV.: 3