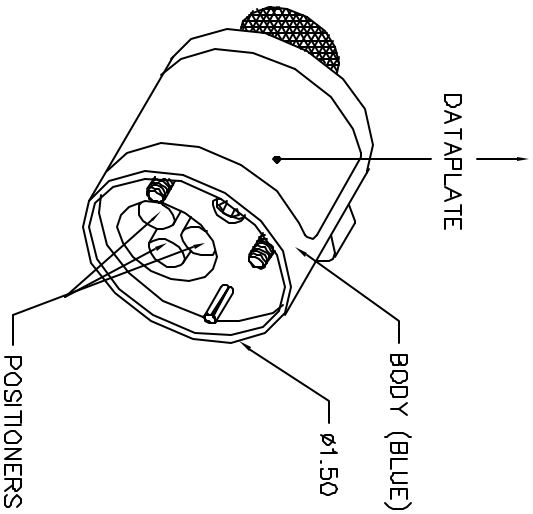
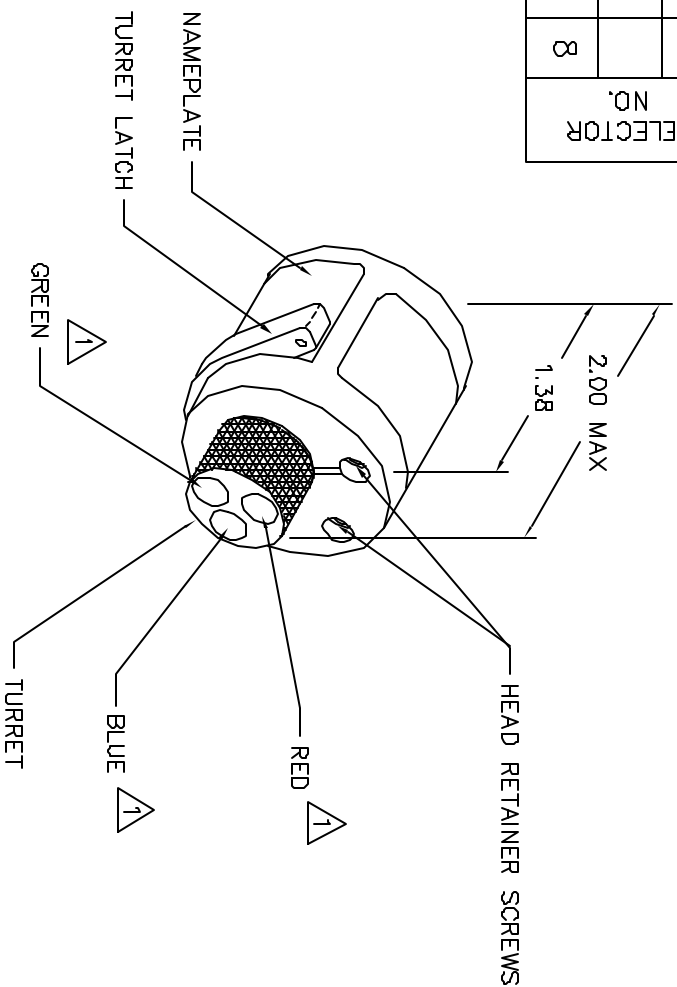


DEUTSCH CONTACTS	COLOR CODE	26	24	22	20	18	16	14	12	WIRE SIZE
1841-1-5620	RED	1	2	3	4					
1841-1-5616	BLUE				4	5	6			
MS3190-12	GREEN							7	8	SELECTOR NO.



POSITIONER COLOR	* HOLE DIMENSIONS	ADDITIONAL FEATURES
RED	Ø.085 ±.84 MIN.	
BLUE	Ø.125 ±.84 MIN.	□ Ø.156 ±.055
GREEN	Ø.173 ±.84 MIN.	□ Ø.206 ±.055

* HOLE DEPTH DIMENSIONS ARE MEASURED FROM THE TOP OF THE POSITIONER INSERTS.



1 RANDOM ORDER OF ROTATION IS ACCEPTABLE.

RESTRICTED & CONFIDENTIAL
 CONFIDENTIAL PROPERTY OF DANIELS MANUFACTURING CORP. NOT TO BE REPRODUCED OR USED FOR ANY OTHER PURPOSE EXCEPT AS AUTHORIZED IN WRITING BY DANIELS MANUFACTURING. MUST BE RETURNED TO DANIELS MANUFACTURING CORP. ON COMPLETION OF ORDER OR OTHER PURPOSE FOR WHICH SENT.

DO NOT SCALE DRAWING

REVISIONS			
REV. NO.	DESCRIPTION	DATE	BY
1	ORIGINAL RELEASE	3-1-00	AMM

**UNCONTROLLED DOCUMENT
 WILL NOT BE UPDATED**

ITEM	PART NO.	QTY.	DESCRIPTION/REMARKS
REV. A	100-1048	DATE 1-21-00	DANIELS MANUFACTURING CORP. ORLANDO, FLORIDA CASE 17851
CHK'D.	RRR	DATE 3-1-00	
APP'D.		DATE	
APP'D.		DATE	

TITLE: ENVELOPE DRAWING
 TURRET HEAD
 WRENCH USED: AF8

SIZE	SCALE	DATE P/M	SHEET	OF
B	NTS	TH278-ENV	1	1

P/S	F/M	TH278-ENV	REV.
		TH278-ENV	1